

EVQ7 Extractors

Manual for Installation, Use and Maintenance

C|D|A



Important

The manufacturer cannot be held responsible for injuries or losses caused by incorrect use or installation of this product. Please note that the manufacturer reserves the right to invalidate the guarantee supplied with this product following incorrect installation or misuse of the appliance or use in a commercial environment.

This appliance is not designed to be used by people (including children) with reduced physical, sensorial or mental capacity, or who lack experience or knowledge about it, unless they have had supervision or instructions on how to use the appliance by someone who is responsible for their safety.

Under no circumstances should any external covers be removed for servicing or maintenance except by suitably qualified personnel.

Appliance information:

Please enter the details on the appliance rating plate below for reference, to assist CDA Customer Care in the event of a fault with your appliance and to register your appliance for guarantee purposes.


Appliance Model

Serial Number

CE Declarations of Conformity:

This appliance has been manufactured to the strictest standards and complies with all applicable legislation, including Gas safety, Electrical safety (LVD) and Electromagnetic interference compatibility (EMC).

IMPORTANT INFORMATION FOR CORRECT DISPOSAL OF THE PRODUCT IN ACCORDANCE WITH EC DIRECTIVE 2002/96/EC.

At the end of its working life, the product must be taken to a special local authority waste collection centre or to a dealer providing appliance recycling services. Disposing of a household appliance separately avoids possible negative consequences for the environment and health. It also enables the constituent materials to be recovered, saving both energy and resources. As a reminder of the need to dispose of household appliances separately, the product is marked with a crossed-out wheeled dustbin. 

Please note:

- Under no circumstances should the extractor be connected to any gas ventilation system, flue system or hot air ducting system.
- Do not vent the extractor into an attic or loft space.
- Only house the extractor in rooms with adequate ventilation. Remember that the extractor is powerful and whatever air is extracted needs to be replaced.
- Do not tile the extractor in. It should be removable for service or maintenance.
- Do not use silicone sealant to secure the hood to the wall.
- You must be able to isolate the extractor from the mains electrical supply after installation.
- Steam cleaners must not be used when cleaning this appliance.
- The performance of your extractor will vary depending on a number of factors. These include: type of extraction, length of ducting, room volume, ventilation available and cleanliness of the filters.

Using your Extractor

For best performance, you should switch on the extractor 15 minutes before starting to cook and leave it to run for approximately 15 minutes after the end of cooking.

Control Panel

- A - Light key
- B - Increase speed key
- C - Display
- D - Decrease speed key
- E - Timer key

To switch the extractor light on and off

- Touch ☀.

To switch on the extractor

- To switch the extractor on at speed 1, touch ⊖
- To switch the extractor on at speed 3, touch ⊕
- To adjust the speed between 1 and 4, touch ⊕ or ⊖ until the required speed shows on the display.
- To switch the extractor off, touch ⊕ or ⊖ repeatedly until the display shows 0.

The timer

- The extractor is equipped with a timer that allows the extractor to run for a specified period of time between 1 and 99 minutes before switching off automatically. The timer is preset to 15 minutes.
- To activate the timer, select the power level, and then touch ⌚.
- To adjust the timer, touch ⊕ or ⊖ until the required time shows on the display.
- The ⌚ will flash when the timer is on.
- To adjust the speed level when the timer is running, touch ⊕ or ⊖ as required.
- To cancel the timer, touch ⌚.

Please note: If the timer is cancelled, the extractor will continue to run until the extractor is switched off.

Quick start function

- The extractor is equipped with a quick start function for ease of use. By touching ⌚ the extractor will switch on and run for 15 minutes at speed one, before switching off again. To cancel the quick start, touch ⊖.

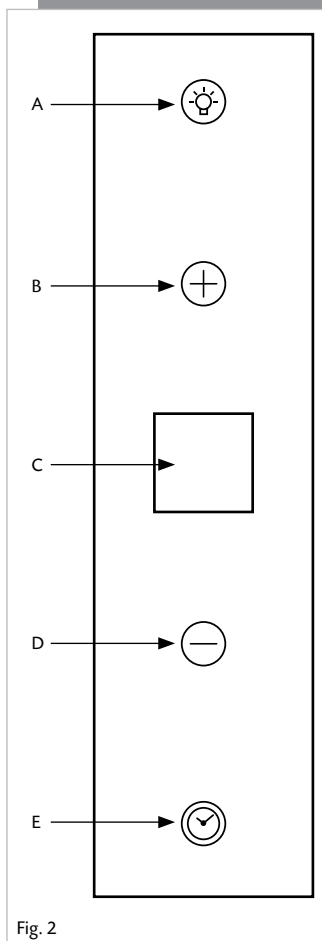


Fig. 2

Care and Maintenance

IMPORTANT : DO NOT PERFORM MAINTENANCE OR CLEANING OF THE EXTRACTOR WITHOUT FIRST SWITCHING OFF THE ELECTRICITY SUPPLY.

Cleaning

You should use a nonabrasive cleaner. Any abrasive cleaner (including Cif) will scratch the surface and could erase the control panel markings.

You can clean your extractor effectively by simply using a dilute solution of water and mild detergent and drying to a shine with a clean cloth.

Cleaning the grease filter

The grease filter should be kept clean to minimise the risk of fire.

At least once a month you should remove and clean the grease filter with hot soapy water. You can also wash the grease filter in a dishwasher, ensuring that you place it in an upright position to prevent damage from other items in the dishwasher. After rinsing and drying, replace the filter.

To remove the grease filter pull open the handle on the grease filter as shown in fig. 2. It will release at the handle side. Then lower the grease filter to remove it completely.

To replace the grease filter, repeat the steps in reverse.

Please note:

Cleaning the grease filter in the dishwasher may lead to discolouration. This is normal and does not constitute a fault with the appliance.

Changing the charcoal filter (re-circulating only)

The charcoal filter must be replaced every four to six months, depending on use.

To attach a new charcoal filter, first remove the grease filter as shown in figure 2. Then offer up the charcoal filter into the frame as shown in figure 3 until it locks into place.

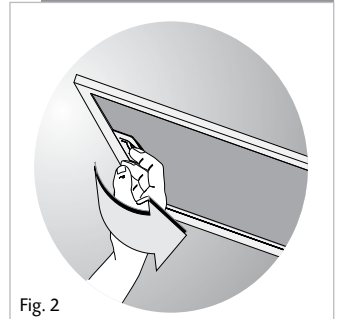


Fig. 2

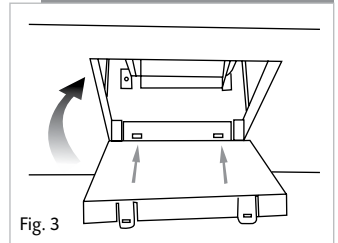


Fig. 3

Changing the Light

DO NOT CHANGE THE LIGHT BULB IMMEDIATELY AFTER USE AS THE BULB WILL BE HOT. ALLOW IT TO COOL BEFORE REMOVING IT.

Remove the light bulb cover, please see figure 4. Unscrew the light bulb and replace with a 12V 20W halogen light bulb. Finally, replace the light bulb cover.

Do not touch bulbs or adjacent areas during or straight after prolonged use of the lights.

The light is designed for use during cooking and not for general room illumination. Extended use of the light can reduce the life span of the bulb.

Bulb replacement is not covered by the guarantee.

Only use bulbs recommended for your extractor. Do not fit bulbs of a higher power rating.

Bulbs of a lower power rating may be adequate for use, generally last longer and use less energy.

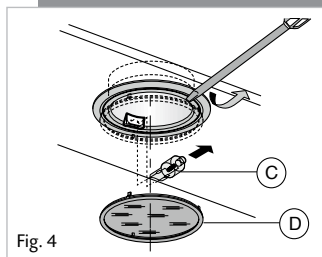


Fig. 4

Mains Electricity Connection

THIS APPLIANCE MUST BE CONNECTED TO THE MAINS SUPPLY BY A COMPETENT PERSON, USING FIXED WIRING VIA A DOUBLE POLE SWITCHED FUSE SPUR OUTLET AND PROTECTED BY A 3A FUSE.

Warning! This appliance must be earthed

We recommend that the appliance is connected by a qualified electrician, who is a member of the N.I.C.E.I.C. and who will comply with the I.E.E. and local regulations.

The wires in the mains lead of this appliance are coloured in accordance with the following code:

Green & Yellow = Earth, Blue = Neutral, Brown = Live.

As the colours of the wires in the mains lead for the appliance may not correspond with the coloured markings identifying the terminals connecting to the fuse spur, proceed as follows:

- The wire which is coloured green and yellow must be connected to the terminal marked E (Earth) or coloured green.
- The wire which is coloured blue must be connected to the terminal marked N (Neutral), or coloured black.
- The wire which is coloured brown must be connected to the terminal marked L (Live), or coloured red.

Note: Use a 3A Fuse

Assembly and electrical connection should be carried out by specialised personnel.

When installing this product we recommend you seek the help of another individual.

Do not mount the isolation switch behind the chimney section. It is a requirement that you must be able to isolate the extractor from the mains electrical supply after installation.

This appliance is intended to be connected to the mains electrical supply by means of an isolation switch and fused spur and is intended to be protected by a 3A fuse. The use of a 13A fuse can cause damage to the internal wiring in the event of a fault, and may also invalidate the warranty.

Electrical Information

Mains electrical voltage: 230 – 240Vac, 50Hz

Total rated power consumption:

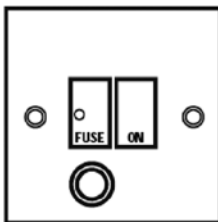
238W

Troubleshooting

If your extractor is not working:

1. Check that the mains supply has not been switched off.
2. Check that the fuse in the spur has not blown.

DOUBLE POLE SWITCHED
FUSED SPUR OUTLET



USE A 3 AMP FUSE

Installation

Your extractor can be used to filter and recycle the air within your kitchen as shown in fig 5, or to extract the air outside as shown in fig 6. When extracting air to the outside, the unit can be vented as shown in the diagram below. Note that we recommend the use of ducting with a diameter of 150mm. Ducting with diameters of 100mm or 120mm may be used, but performance will be reduced.

When installing this appliance over a CDA hob, the clearance between the extractor and the hob must be equal to or exceed 650mm. This instruction overrides the instructions supplied with the CDA hob. (The height should be measured from the top of the hotplates or burners)

Where the extractor is to be installed above a non-CDA hob, the instructions supplied with the hob may dictate that the height required above the hob is greater than 650mm.

IN THE ABSENCE OF ANY INSTRUCTIONS SUPPLIED WITH THE HOB, THE MINIMUM DISTANCE BETWEEN THE HOB AND EXTRACTOR MUST BE AT LEAST 760mm

Fitting your extractor to the wall:

Before commencing, remove the grease filter.

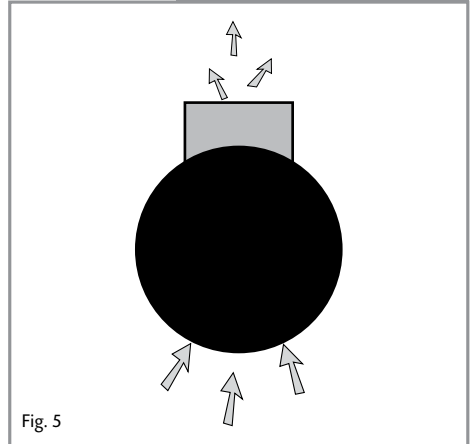


Fig. 5

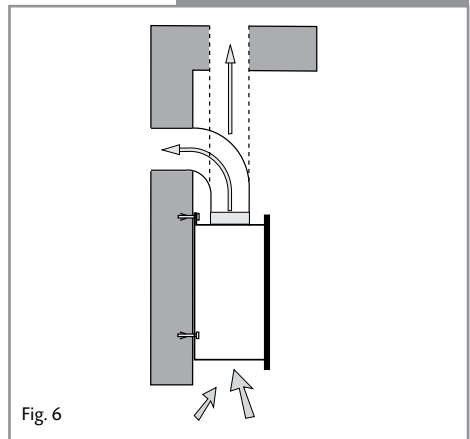


Fig. 6

FITTING YOUR EXTRACTOR TO THE WALL:

Before commencing, remove the grease filter as shown above.

The extractor is mounted to the wall using 4 screws. Ensure that any fixings (including any that are supplied) are suitable for the wall material. Mark the positions of the holes on the wall, according to the information shown in the image fig 7.

Next, insert the wall plugs into the holes and fit two screws into the top plugs, leaving approx 5mm protruding.

Carefully lift the body of the extractor with the chimney located over the body section onto the screws and make any slight adjustments to the level of the extractor before securing in position by tightening the top screws.

Fit the bottom screws and tighten to permanently locate the body of the product in the final position. Make a final check to ensure that the metal grease filter is at least the required height above your hob.

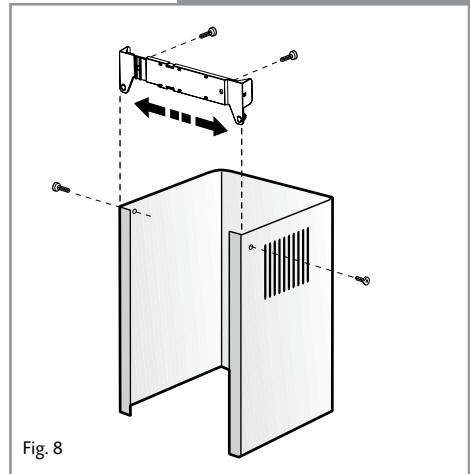
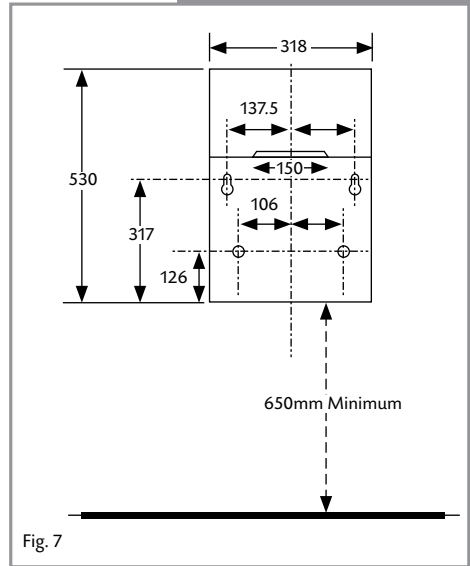
Using the chimney mounting bracket as a guide, mark and drill the fixing holes on the wall. Secure the chimney bracket in position using the two appropriate screws.

If your extractor is being used as a recirculation device, secure the chimney in place using the two supplied screws, shown in fig 8.

If you are using the extractor to vent outside, connect the duct pipe to the outlet adapter and then secure the chimney in place using the 2 supplied screws, as shown in fig 8.

Note:

If the electrical supply to your extractor is hidden behind the chimney, please ensure that there is an accessible isolation switch to allow the extractor to be disconnected from the mains for service and maintenance purposes.











To contact our Customer Care Department, or for Service,
please contact us on the details below.