

# 3L9 Lantern Style Extractor

Installation, Use and Maintenance



## Important

The CDA Group Ltd cannot be held responsible for injuries or losses caused by incorrect use or installation of this product. Please note that CDA reserve the right to invalidate the guarantee supplied with this product following incorrect installation or misuse of the appliance or use in a commercial environment.

This appliance is not designed to be used by people (including children) with reduced physical, sensorial or mental capacity, or who lack experience or knowledge about it, unless they have had supervision or instructions on how to use the appliance by someone who is responsible for their safety.

Under no circumstances should any external covers be removed for servicing or maintenance except by suitably qualified personnel.

### **Appliance information:**

Please enter the details on the appliance rating plate below for reference, to assist CDA Customer Care in the event of a fault with your appliance and to register your appliance for guarantee purposes.

Appliance Model	
-----------------	--

Serial Number	
---------------	--

### **EU Declarations of Conformity:**

This appliance has been manufactured to the strictest standards and complies with all applicable legislation, including Gas safety, Electrical

safety (LVD) and Electromagnetic interference compatibility (EMC).

## **IMPORTANT INFORMATION FOR CORRECT DISPOSAL OF THE PRODUCT IN ACCORDANCE WITH EC DIRECTIVE 2012/19/EU.**

At the end of its working life, the product must be taken to a special local authority waste collection centre or to a dealer providing appliance recycling services.

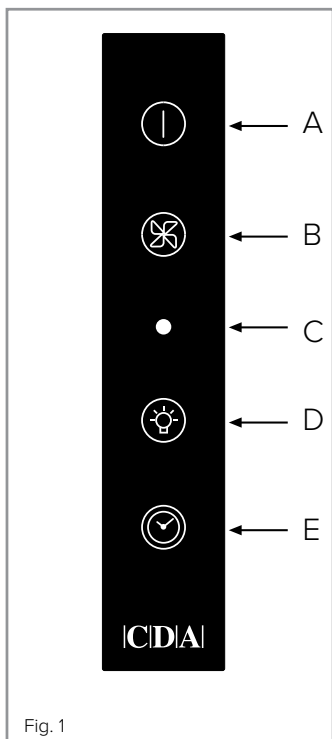
Disposing of a household appliance separately avoids possible negative consequences for the environment and health. It also enables the constituent materials to be recovered, saving both energy and resources. As a reminder of the need to dispose of household appliances separately, the product is marked with a crossed-out wheeled dustbin.

### **Please note:**

- Under no circumstances should the extractor be connected to any gas ventilation system, flue system or hot air ducting system.
- Do not vent the extractor into an attic or loft space.
- Only house the extractor in rooms with adequate ventilation. Remember that the extractor is powerful and whatever air is extracted needs to be replaced.
- Do not tile the extractor in. It should be removable for service or maintenance.
- Do not use silicone sealant to secure the hood to the wall.
- You must be able to isolate the extractor from the mains electrical supply after installation.

- This extractor has been designed to be used in a room with a volume of less than 36m<sup>3</sup>.
- Steam cleaners must not be used when cleaning this appliance.
- The performance of your extractor will vary depending on a number of factors. These include: type of extraction, length of ducting, room volume, ventilation available and cleanliness of the filters.

## Control panel



- A - Power key
- B - Speed level key
- C - Light indicator
- D - Light key
- E - Timer key

# Using your extractor

For best performance, you should switch on the extractor 15 minutes before starting to cook and leave it to run for approximately 15 minutes after the end of cooking.

## **To switch on the extractor and set the speed level**

- Touch key A. The appliance will switch on at the first speed level.
- To increase the speed level touch key B. The speed cycles through first, second and third speed levels, and the relevant number indicator will show on the centre of the display.
- To switch the extractor off, touch key A.

## **The extractor lights**

- To switch the lights on touch key D. The light indicator will show on the centre of the display when the lights are on.

## **The intensive function**

- The extractor is equipped with an intensive function which runs for ten minutes before returning to the previous selected speed level.
- To activate the intensive function, touch and hold key B at any speed level for approximately five seconds. The 3 indicator on the centre of the display will flash whilst the intensive function is on.
- To cancel the intensive function, touch the speed level key and the extractor will return to the previous speed level.

---

## **The timer**

- The extractor is equipped with a timer that allows the extractor to run for 15 minutes before switching off automatically.
- To activate the timer, touch key E. The timer indicator will show on the centre of the display when the timer is on.

## **Please note**

The timer cannot be activated when the intensive function is on.

## **The clean air function**

- The extractor is equipped with a clean air function that switches on the motor for ten minutes every hour at speed level one.
- To activate the clean air function, touch key A for five seconds when the appliance is off. When the motor is running, the light indicator will flash and the first speed indicator will light up. For the remaining 50 minutes, the light indicator will flash.
- To cancel the clean air function, touch any key except the light key.

## **The ambient light function**

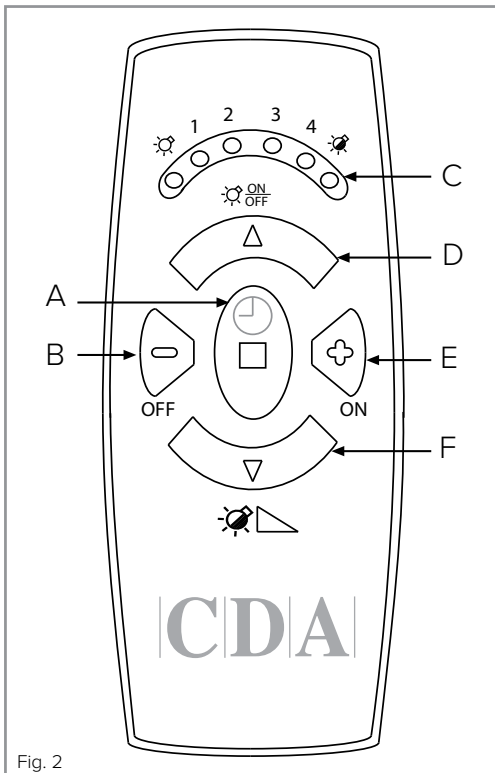
- The extractor is equipped with an ambient light function that switches on the LED lights on the side of the extractor.
- To switch the ambient light function on or off, touch and hold the timer button for approximately five seconds

# Remote control

The extractor comes with a remote control allowing for easy use.

The remote control may need to be synchronised with the extractor prior to first use (or if the remote is ever replaced). To synchronise the remote with the extractor, simply follow the steps below:

- With the extractor on standby mode (no functions in use), press the light key (D in fig. 1) and hold it for 5 seconds or until the red light bulb starts flashing.
- Whilst the red light bulb indicator is flashing, press any button on the remote control. The two devices should now be synchronised.



- A - Timer key
- B - Speed decrease key
- C - Light and speed indicators
- D - Ambient light key
- E - Speed increase key
- F - Main light key

Fig. 2

### **To set the motor speed**

- Use keys B and E to set the desired motor speed. The remote control should indicate which speed setting is set with 1 being the lowest speed and 4 being intensive.

### **To turn on and turn off the ambient lighting**

- Press remote control key D (in fig. 2) to switch on the ambient lighting.
- Press the same key again to switch off the ambient lighting.

### **To turn on and turn off the main lighting**

- Press remote control key F in fig. 2 to switch on the main lighting.
- Press the same key again to switch off the main lighting.

### **To change the battery**

- The battery will last for approximately 12 months, depending on usage.
- To change the battery, remove the two screws and the cover from the back of the controller. Replace the battery with a new 23A type.

### **Please note:**

The remote control will work up to five metres away from the extractor. There is a holder supplied with the remote control which allows for the remote to be wall-mounted for convenience.



# Care and Maintenance

**IMPORTANT : DO NOT PERFORM MAINTENANCE OR CLEANING OF THE EXTRACTOR WITHOUT FIRST SWITCHING OFF THE ELECTRICITY SUPPLY.**

## **Cleaning**

You should use a non-abrasive cleaner. Any abrasive cleaner (including Cif) will scratch the surface and could erase the control panel markings. You can clean your extractor effectively by simply using a dilute solution of water and mild detergent and drying to a shine with a clean cloth.

## **Cleaning the grease filter**

The grease filter should be kept clean to minimise the risk of fire.

After 30 hours of use, the filters indicator light (a red square with a dot in the middle, next to power 1) will switch on to indicate that the grease filters must be washed. you should remove and clean the grease filter with hot soapy water. You can also wash the grease filter in a dishwasher, ensuring that you place it in an upright position to prevent damage from other items in the dishwasher. After rinsing and drying, replace the filter. After the grease filter has been replaced, the electronic memory must be reset by touching the speed level key (B) for approximately five seconds or until the filters indicator light switches off.

To remove the grease filter, pull open the handle on the grease filter as shown in fig. 8. It will release at the handle side. Then, lower the grease filter to remove it completely.

To replace the grease filter, repeat the steps in reverse.

**Please note:**

Cleaning the grease filter in the dishwasher may lead to discolouration. This is normal and does not constitute a fault with the appliance.

**Changing the charcoal filter**

After 120 hours of use, the filters indicator light will illuminate to indicate that the charcoal filters must be replaced. The filters indicator light looks like a red square with a dot in the middle and appears next to speed 1. After the charcoal filter has been replaced, the electronic memory must be reset by touching the speed level key (B) for approximately five seconds or until the filters indicator light switches off.

To replace the charcoal filter, first open the base of the extractor and remove the grease filter as shown in figures 8 and 9. To remove the charcoal filter as shown in figure 9 and replace it with a new charcoal filter. Finally, replace the grease filter and then close the extractor base.

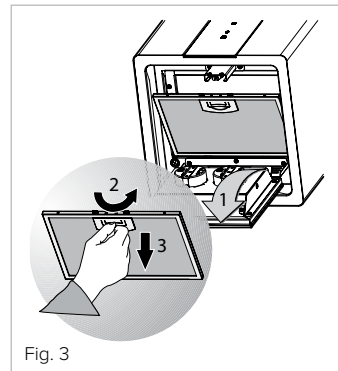


Fig. 3

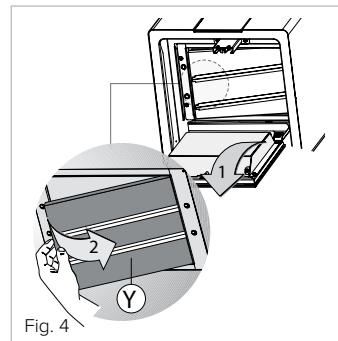


Fig. 4

# Mains Electricity Connection

**THIS APPLIANCE MUST BE CONNECTED TO THE MAINS SUPPLY BY A COMPETENT PERSON, USING FIXED WIRING VIA A DOUBLE POLE SWITCHED FUSE SPUR OUTLET AND PROTECTED BY A 3A FUSE.**

We recommend that the appliance is connected by a qualified electrician, who is a member of the N.I.C.E.I.C. and who will comply with the I.E.T. and local regulations.

The wires in the mains lead of this appliance are coloured in accordance with the following code:

**Green & Yellow = Earth**

**Blue = Neutral**

**Brown = Live**

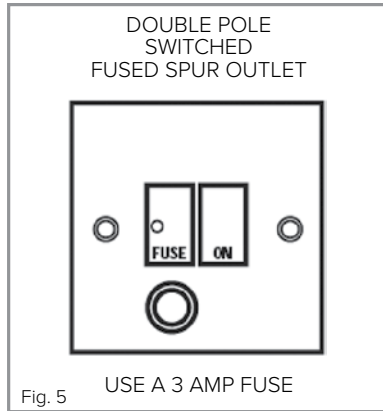
As the colours of the wires in the mains lead for the appliance may not correspond with the coloured markings identifying the terminals connecting to the fuse spur, proceed as follows:

- The wire which is coloured green and yellow must be connected to the terminal marked E (Earth) or coloured green.
- The wire which is coloured blue must be connected to the terminal marked N (Neutral) or coloured black.
- The wire which is coloured brown must be connected to the terminal marked L (Live), or coloured red.

**Note: Use a 3A Fuse.**

Assembly and electrical connection should be carried out by specialised personnel.

When installing this product we recommend you seek the help of another individual.



## Electrical Information

Mains electrical voltage: 230 – 240Vac, 50 Hz

**Total rated power consumption:**

290W

# Replacing the LED lighting

In normal use, the LED lighting should not require replacement and has a significantly longer lifetime than some alternative forms of lighting. In the event that the LED lights fail to operate on this extractor, please contact CDA Customer Care using the contact details at the bottom of this page to arrange for a repair.

## Troubleshooting

### **Please note:**

Your extractor is equipped with a motor protection device that may switch off the motor to prevent damage from overheating. This may happen during cooking when most or all of the zones/burners on a hob below are being used simultaneously, or if your extractor is installed incorrectly, lower than the recommended height.

This is normal, and the extractor will work again once the motor has cooled sufficiently.

### **If your extractor is not working:**

1. Check that the mains supply has not been switched off.
2. Check that the fuse in the spur has not blown.

### **Contact CDA Customer Care**

**A:** Customer Care Department, The CDA Group Ltd, Harby Road,  
Langar, Nottinghamshire, NG13 9HY

**T:** 01949 862 012

**E:** [customer.care@cda.eu](mailto:customer.care@cda.eu)

**F:** 01949 862 003

**W:** [www.cda.eu](http://www.cda.eu)

# Installation

## IMPORTANT:

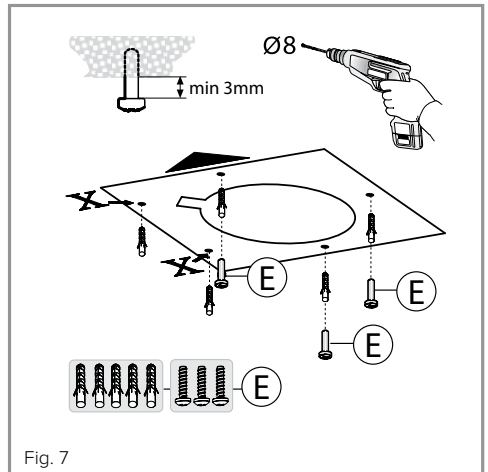
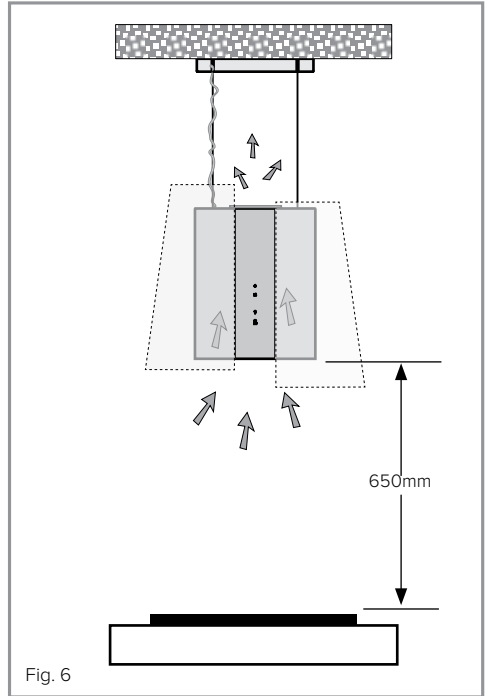
The extractor is intended to be mounted to the ceiling using fixings appropriate for the ceiling. Ensure that there is adequate ceiling strength and supports at the fixing points; if in doubt, consult a joiner or electrician.

## Installation:

The extractor is intended to be operated as a re-circulation device suspended from the ceiling, as shown in Fig 6.

When installing this appliance over a CDA hob, the clearance between the extractor and the hob must be equal to or exceed 650mm. This instruction overrides the instructions supplied with the CDA hob. (The height should be measured from the top of the hotplates or burners)

Where the extractor is to be installed above a non-CDA hob,



the instructions supplied with the hob may dictate that the height required above the hob is greater than 650mm.

**IN THE ABSENCE OF ANY INSTRUCTIONS SUPPLIED WITH THE HOB, THE MINIMUM DISTANCE BETWEEN THE HOB AND EXTRACTOR MUST BE AT LEAST 760mm**

## Mounting the extractor

1. Using the supplied template, mark the positions of the 3 main fixing holes (E) and the 2 additional fixing holes (X) on the ceiling.
2. Drill and plug the holes, as required. If screwing directly to the ceiling joists, plugs may not be required (See Important note above).
3. Insert 3 screws (E) into the main fixings, leaving approximately 3mm protruding, as shown in Fig 7.

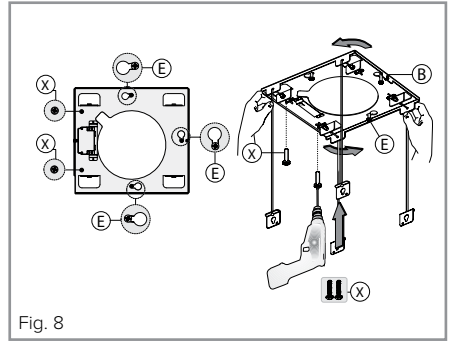


Fig. 8

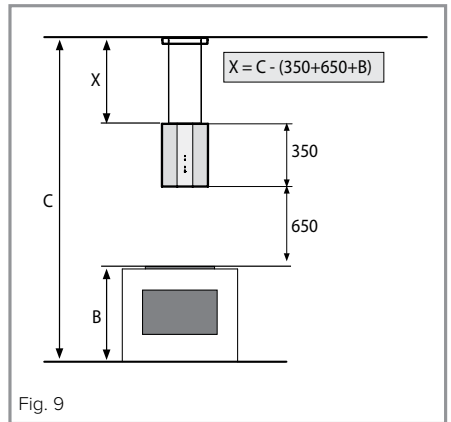


Fig. 9

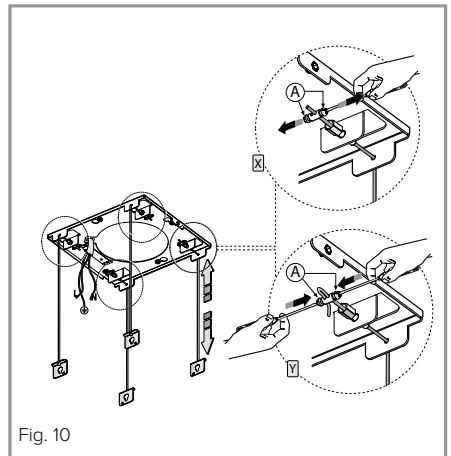


Fig. 10

4. Fit the ceiling support plate into position on the 3 screws and rotate it into position, as shown in Fig 13. Ensure that the mains supply cable is located in position and is not trapped or damaged.

5. When in position, tighten the 3 main screws and fit 2 additional screws to fix the support plate in position.

6. When used with a CDA hob, the extractor is required to be 650mm above the hotplates. Measure the height of the ceiling and then the hotplate height from the floor. The length of the wire supports should be calculated as follows:

Length of cable = Ceiling height – (350 + 650 + Hotplate height)

Adjust the cables to the approximate required length (X in Fig 10). These can be adjusted after install, if required. Ensure that the cable is looped back through the second safety fixing (Y in Fig 10) to ensure there is no risk of the cables slipping.

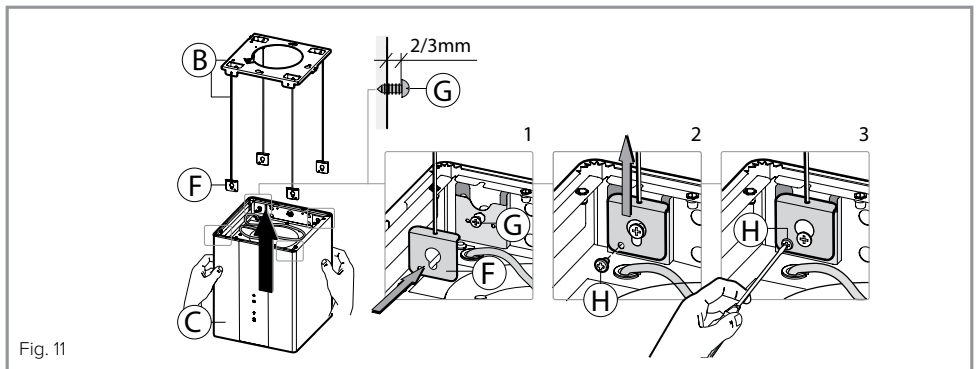


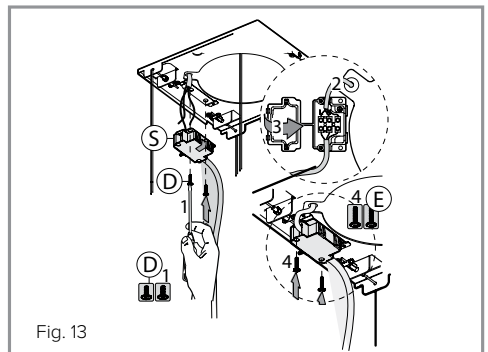
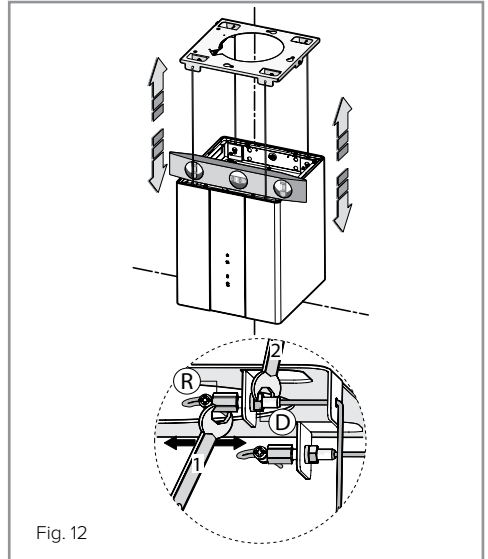
Fig. 11



7. Loosen the body fixing screws (G in Fig 11) by approximately 3mm and hook the cable fixing bracket into place. Lift the bracket into position and tighten the screw to lock the bracket in position, then insert an additional screw (H) for security.

8. Make any adjustments to the cable length, ensuring that the extractor is level. Using 2 x 8mm spanners, the extractor can be levelled using the adjustment system shown in Fig. 12.

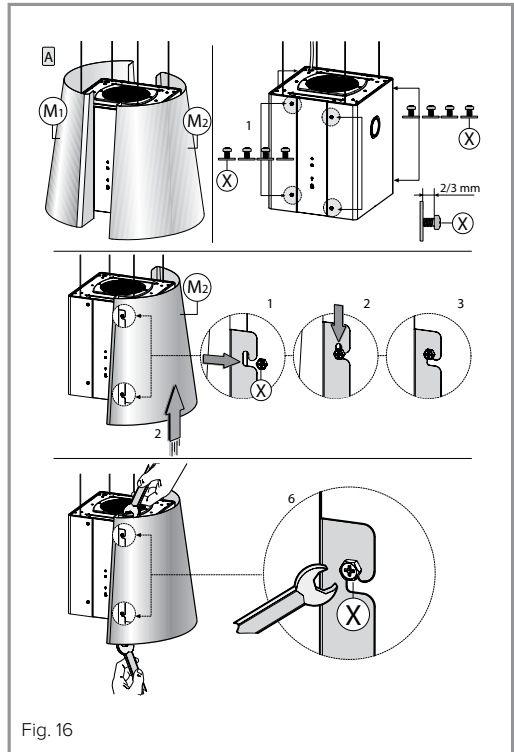
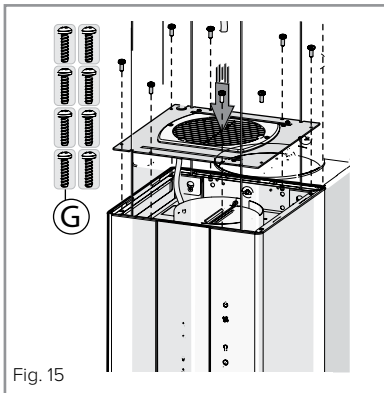
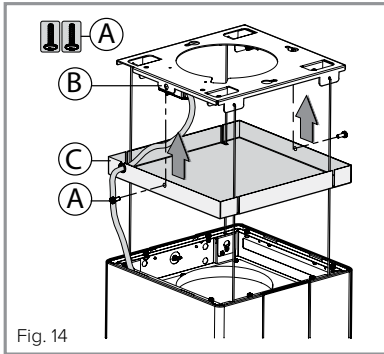
9. Mount the mains connection box (S) to the ceiling support plate using the 2 supplied screws (D) and proceed to connect the appliance to the mains supply, as shown below. Once complete, secure the connection box lid with the 2 screws. If you are in doubt as to how to connect the appliance to the mains supply consult a qualified electrician.



11. Fit the fixing support cover panel (C) and secure with the two supplied screws (A), as shown in Fig 14.

12. Fit the extractor top panel, as shown in Fig 15, using the 8 supplied screws (G). Again, ensure that the mains supply cable is not trapped.

12. Fit the 2 decorative curved panels (M1 and M2) to the body of the extractor as shown; note these can be installed offset as shown, or at the same level, as preferred. Insert the screws (X) into the body leaving approximately 3mm protruding. Hang the panels onto the body as shown, finally tightening the screws to secure the chimney, using a stubby screwdriver or spanner.



---

**NOTES:**

Please contact our **Customer Care Department** for Service on the details below

**Customer Care Department**

The ICDAI Group Ltd. • Harby Road • Langar • Nottinghamshire • NG13 9HY  
T : 01949 862 012 F : 01949 862 003 E : [customer.care@cda.eu](mailto:customer.care@cda.eu)

