

# ENT60MB

Extractor

Installation, use and maintenance

# Contents:

3	Important information
5	Safety notice
9	Operation
10	Eco boost
10	Off-timer
10	User presence detection
10	Pairing the hob and hood
11	Controlling the hood from the hob
11	Adjusting the light colour
12	Extractor lighting
12	Operating modes
13	Ducting and ventilation
13	Electrical information
14	Mains electrical connection
15	Product dimensions
16	Positioning your extractor
17	Installation
20	Care and maintenance
21	Customer care

# Important

The CDA Group Ltd cannot be held responsible for injuries or losses caused by incorrect use or installation of this product. Please note that CDA reserve the right to invalidate the guarantee supplied with this product following incorrect installation or misuse of the appliance or use in a commercial environment.

This appliance is not designed to be used by people (including children) with reduced physical, sensorial or mental capacity, or who lack experience or knowledge about it, unless they have had supervision or instructions on how to use the appliance by someone who is responsible for their safety.

Under no circumstances should any external covers be removed for servicing or maintenance except by suitably qualified personnel.

## Appliance information:

Please enter the details on the appliance rating plate below for reference, to assist CDA Customer Care in the event of a fault with your appliance and to register your appliance for guarantee purposes.

Appliance Model	
Serial Number	

## EU Declarations of Conformity

This appliance has been designed and manufactured to comply with all applicable UK and EU legislation and has been marked with the following symbols

Low voltage Directive, 2014/35/EU

Electromagnetic compatibility Directive, 2014/30/EU

ErP Directive, 2009/125/EC

RoHS Directive, 2011/65/EU



## **IMPORTANT INFORMATION FOR CORRECT DISPOSAL OF THE PRODUCT IN ACCORDANCE WITH EC DIRECTIVE 2012/19/EU.**

At the end of its working life, the product must be taken to a special local authority waste collection centre or to a dealer providing appliance recycling services.

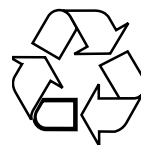
### **Disposal of old appliance**

In accordance with European Directive 2012/19/EU and local legislation regarding used electrical and electronic goods, this appliance is marked with the symbol of the crossed-out waste container. This marking indicates that the appliance must not be disposed of together with other household waste after it has been used. The user is obliged to hand it over to waste collection centre collecting used electrical and electronic goods. The collectors, including local collection points, shops and local authority departments provide recycling schemes. Proper handling of used electrical and electronic goods helps avoid environmental and health hazards resulting from the presence of dangerous components and the inappropriate storage and processing of such goods.



### **Unpacking**

During transportation, protective packaging was used to protect the appliance against any damage. After unpacking, please dispose of all elements of packaging in a way that will not cause damage to the environment. All materials used for packaging the appliance are environmentally friendly; they are 100% recyclable and are marked with the appropriate symbol.



**Important!** Packaging materials (bags, polyethylene, polystyrene, etc.) should be kept away from children during unpacking.

# Safety notice

Before using the appliance, please carefully read this manual!

- The appliance is designed for household use only.
- The manufacturer reserves the right to introduce changes, which do not affect operation of the appliance.
- The manufacturer shall not be liable for any damage or fire caused by the appliance resulting from failure to follow instructions in this manual.
- Cooker hood is designed to remove cooking odours. Do not use cooker hood for other purposes.
- Connect the cooker hood operating in extraction mode to a suitable ventilation duct (do NOT connect the cooker to smoke or flue gas ducts, which are in use). It requires installation of the air extraction duct to the outside. The length of the duct (usually a pipe of Ø 120 or 150 mm) should not be longer than 4-5 m. An air extraction duct is also required for telescopic and furniture hoods in absorption mode.
- Cooker hood operating in air recirculation mode requires the installation of an activated charcoal filter. In this case, installing an extractor duct is not required, however it is recommended to install an air guide vane (Mainly in chimney cooker hoods).
- The cooker hood features independent lighting and exhaust fan that can be operated at one of several speeds.
- Depending on the type, the hood is designed to be permanently attached to a vertical wall over a gas or electric stove (chimney and universal hoods); on the ceiling over a gas or electric stove (island hoods); on the vertical built in furniture over a gas or electric stove (telescopic and built-in hoods). Before installing, make sure that the wall/ceiling structure is strong enough to suspend the hood. Some hoods are very heavy.
- For details of the installation distance above an electric hob please

---

refer to product technical sheet. If the installation instructions of the gas cooker specify a greater distance, this must be taken into account (Fig.1).

- Do not leave an open flame under the hood.
- When the pots are removed from the burner, set the minimum flame. Always make sure that the flame does not extend outside the pot, because it causes unwanted loss of energy and a dangerous concentration of heat.
- When cooking on fat, supervise the pans constantly, because overheated fat can ignite.
- Unplug the appliance before any cleaning, replacing the filter or repair work.
- Cooker hood grease filter should be cleaned at least once a month, because the filter saturated with fat is flammable.
- Ensure adequate ventilation (air flow) if other equipment such as liquid fuel stoves or heaters are operated in the room in addition the cooker hood. When the cooker hood is simultaneously operated with burning appliances requiring adequate fresh air from the room to work properly, their safe operation is possible if under pressure around these appliances is a maximum of 0.004 mbar (this does not apply when the cooker hood is used as an odour filter)
- Do not lean on the hood.
- The hood should be cleaned regularly both inside and out (AT LEAST ONCE A MONTH, following the indications concerning maintenance provided in this manual). Failure to adhere to the rules concerning cleaning the hood and replacing filters results in a fire risk.
- If the power cord is damaged it should be replaced by a specialized service centre.
- Ensure that it is possible to disconnect the appliance from the mains by removing the plug or switching off the bi-polar switch.
- This appliance is not intended for use by persons (including children)

with physical, mental or sensory handicaps, or by persons inexperienced or - 7 - unfamiliar with the appliance, unless under supervision or in accordance with the instructions as communicated to them by persons responsible for their safety.

- Particular attention should be paid not to allow unaccompanied children to use the appliance.
- Make sure voltage indicated on the nameplate corresponds to the local mains supply voltage.
- Before use, extend and straighten the power cord.
- Packaging materials (bags, polyethylene, polystyrene, etc.) should be kept away from children during unpacking.
- Before connecting the hood to the mains power supply always check that the power cord is properly installed and is not trapped by the appliance.
- Do not connect the appliance to the mains until assembly is complete.
- Do not operate your kitchen hood without the aluminium grease filters.
- It is strictly forbidden to cook dishes under on an open flame (flambé) under your kitchen hood.
- Always strictly adhere to regulations issued by the competent local authorities regarding the technical and safety requirements for fume extraction.
- Failing to tighten bolts and fasteners in accordance with these instructions may endanger life and health.
- Hanging kitchen hoods operate only in air circulation / odour absorber mode.



**WARNING!** Failure to install the screws or fixing device in accordance with these instructions may result in electrical hazards.

---

This appliance can be used by children aged 8 years and older or by persons with physical, mental or sensory handicaps, or by those who are inexperienced or unfamiliar with the appliance, provided they are supervised or have been instructed how to safely use the appliance and are familiar with risks associated with the use of the appliance.

Ensure that children do not play with the appliance.

Cleaning and maintenance of the appliance should not be performed by children unless they are 8 years or older and are supervised by a competent person.



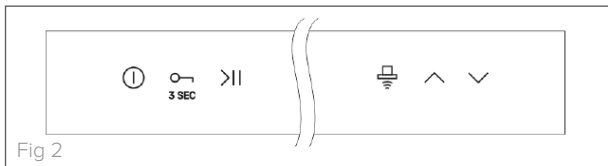
# Operation

## Cooker hood controls

Control Panel is shown below:



You can also control kitchen hood from your hob's control panel\*\*:



\*\* This feature is only compatible with a Hood Connect CDA Hob

## Control Panel

The control panel is equipped with touch controls. Touch one of the sensors to enable the desired function:

- Low speed (1). Use this speed when cooking a little food with hardly any fumes.
- Medium speeds (2 - 3). Use this speed when cooking multiple dishes at the same time with moderate amount of fumes.
- High speed (  $P_{BOOST}$  ). Use this speed when frying or grilling, with large amount of fumes.
- Lighting on/off . The lighting operates independently of hood fan.
- Touch sensor corresponding to the selected speed to turn off the kitchen hood.



## Eco boost

Energy saving function. The energy saving function reduces speed 4 to 3 after 5 minutes of fan operation. The function is automatic and cannot be turned off.





## Off-timer


Use the off-timer to turn off the hood after a specified time. Use the off-timer to filter the fumes out of the air after cooking. The delay time is approximately 15 minutes. To enable the off-timer at any fan speed touch the active speed sensor for at least 3 seconds. The sensor will flash. Flashing indicates that the off-timer has been enabled. To cancel the off-timer, touch the active speed sensor. The appliance will turn off. To turn on the appliance, set the desired fan speed. Cancelling the off-timer does not turn off the lighting.



## User presence detection

Your kitchen hood features a user presence detector. If the user is within the range of the detector for at least 2 seconds, the appliance lighting will turn on. The lighting will automatically turn off approximately two minutes after the user leaves the vicinity of the appliance. To enable or disable the function, touch and hold  for 3 seconds. Activation or deactivation of the function will be confirmed by the brief flashing of the  indicator.

## Pair your cooking hob and kitchen hood

This feature allows the hood to communicate with the hob. The feature is only available in certain models. To pair both appliances, touch  to turn on the hob and set any heat setting on one of the cooking zones. This will prevent the hob from turning off after a few seconds. While the hob waits for the pot to be placed on the cooking zone, touch and hold  and  on the hood control panel for about 3 seconds, and the  indicator in the hood

will flash quickly. Then touch and hold  on the hob for a few seconds. The appliance will pair and you will be able to control the hood from your hob.


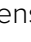
**Note:** Please note the pictogram on the hood control panel. The  indicator is not lit when pairing is in progress. The pairing status is indicated by a dot above the  sensor:


No dot - appliances are not paired

Flashing dot - pairing in progress



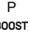
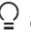
Dot steady on - appliances are paired

## Control your hood from the hob

**Manual mode:** Touch   sensors on the hob to adjust the fan speed. Each time you change the fan speed a relevant indicator on the hood will light up. You can also change the fan speed by touching the sensors on your kitchen hood.

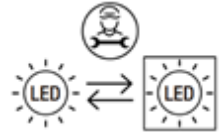
**Automatic mode:** Touch the  sensor on your hob and **A** (Auto) will be shown by the fan speed indicator. Now the fan speed will be adjusted automatically based on the heat setting of the individual cooking zones. In automatic mode, the kitchen hood lighting turns on and you can turn it off using the sensor on your kitchen hood.

## Adjust light colour

When the lighting is on, simultaneously touch and hold **1** and  for a few seconds. The  indicator will light up continuously. Touch **1** or  to set the colour. Touch once to adjust the colour by 10% or touch and hold down to adjust the lighting colour. Touch  or do nothing for 20 seconds to confirm the colour.

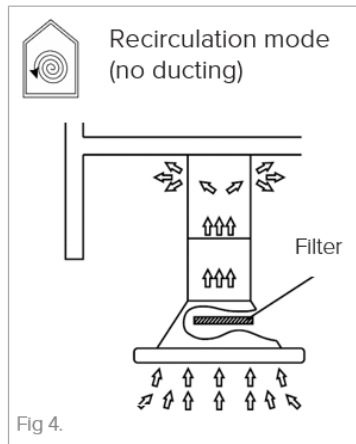
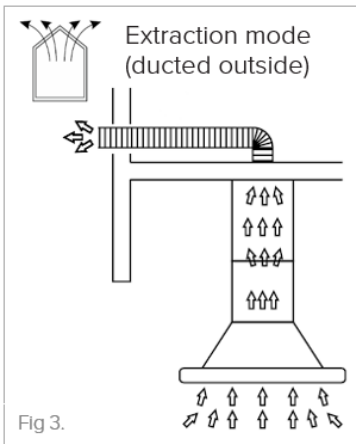
## Extractor lighting

The lighting on your extractor uses energy efficient LED technology. If the LED system malfunctions, please contact CDA Customer Care.



## Operating modes

Your extractor can be used in either of two modes - recirculation or extraction. The choice often depends on the specific installation requirements. Your installer will be able to advise which is best for you.



**Note that when used in recirculation mode, the extractor will only remove grease and odours from cooking. It will not remove steam.**

## Ducting and ventilation

For best performance and lowest noise output, we recommend the use of 150mm ducting, you can also use 120mm ducting but this will reduce performance. In general, the less ducting you use (i.e. distance and bends) the more efficient your extractor will be.

The lengths of ducting with minimal effect on performance are as follows:

- 4 metres with 1 x 90° bend
- 3 metres with 2 x 90° bends
- 2 metres with 3 x 90° bends

Longer ducting can be used but the performance of the extractor will likely be reduced.

Please note: Ducting components and ducting kits are optional accessories and need to be ordered separately, they are not automatically supplied with the hood. Use of ducting less than 150mm in diameter will affect performance and increase the noise produced by the extractor.

## Electrical information

Rated voltage (mains electrical voltage): 230 – 240Vac, 50Hz

Rated input (rated power consumption): 158W

Motor input: 150W

Lamp power: 2 x 4W

# Mains electricity connection

**THIS APPLIANCE MUST BE CONNECTED TO THE MAINS SUPPLY BY A COMPETENT PERSON, USING FIXED WIRING VIA A DOUBLE POLE SWITCHED FUSED SPUR OUTLET AND PROTECTED BY A 3A FUSE.**

We recommend that the appliance is connected by a qualified electrician, who is a member of the N.I.C.E.I.C. and who will comply with the I.E.T. and local regulations.

The wires in the mains lead of this appliance are coloured in accordance with the following code:

BLUE = NEUTRAL

BROWN = LIVE

GREEN & YELLOW = EARTH

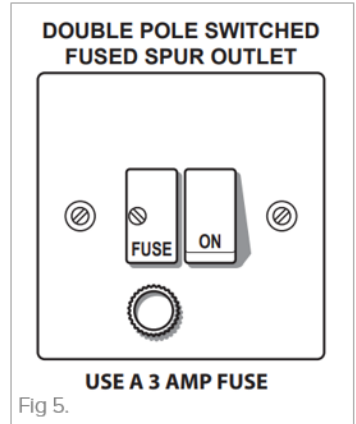


Fig 5.

As the colours of the wires in the mains lead for the appliance may not correspond with the coloured markings identifying the terminals connecting to the fused spur, proceed as follows:

- The wire which is coloured green & yellow must be connected to the terminal marked E (Earth) or coloured green.
- The wire which is coloured blue must be connected to the terminal marked N (Neutral) or coloured black or blue.
- The wire which is coloured brown must be connected to the terminal marked L (Live) or coloured red or brown.

If the mains cable of this appliance is damaged, it must only be

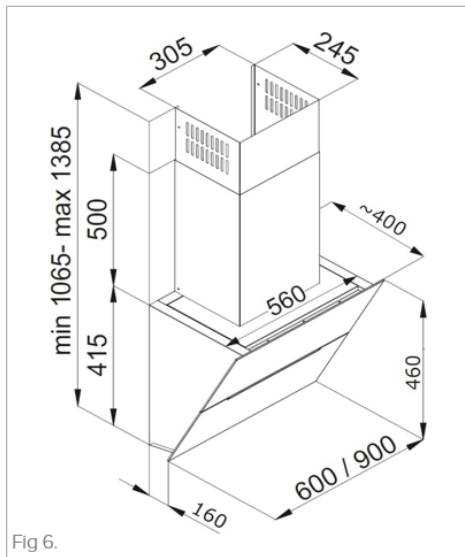
replaced by a CDA approved service engineer, agent, or other suitably qualified person.

### **IMPORTANT – ONLY USE A 3 AMP FUSE**

The use of a 13A fuse can cause internal wiring damage which will not be covered under the CDA warranty.

Do not mount the electrical isolation switch behind the chimney section. It is a requirement that you must be able to isolate the extractor from the mains electrical supply after installation.

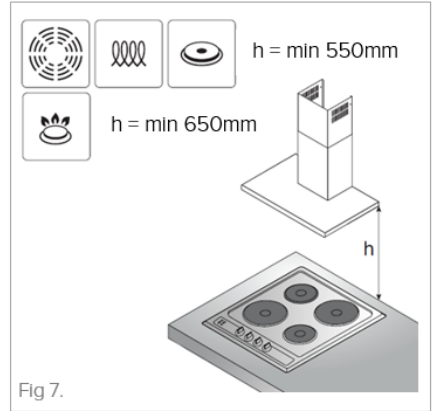
## **Product dimensions**



# Positioning your extractor

When the extractor is to be installed above an electric, ceramic or induction hob, the minimum distance between the hob and extractor must be at least 550mm.

When the extractor is to be installed above a gas hob, the minimum distance between the hob and extractor must be at least 650mm.



If the instructions provided with your gas hob state that the required distance between the hob and extractor must be greater than 650mm, then that is the distance that should be observed; this is a legal requirement and may lead to your hob being disconnected from the gas supply and the installation being reported under RIDDOR (The height should be measured from the top of the burners).

**IN THE ABSENCE OF ANY INSTRUCTIONS SUPPLIED WITH THE GAS HOB, THE MINIMUM DISTANCE BETWEEN THE HOB AND EXTRACTOR MUST BE AT LEAST 650mm.**

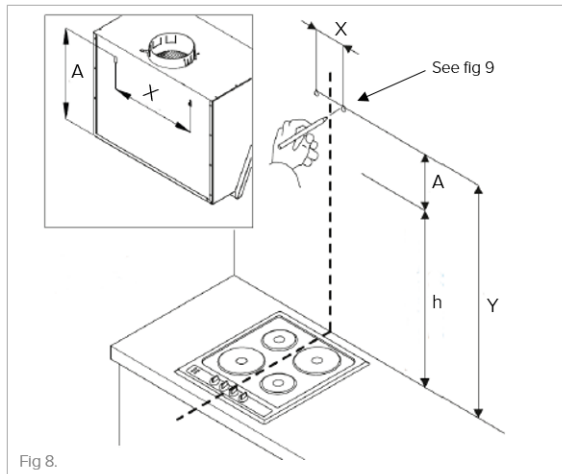
The width of any hob must not be greater than the width of the extractor installed above it.



# Installation

**Important:** This appliance is heavy and should be installed by two people. The use of personal protective equipment is strongly recommended to minimise the risk of injury caused by any sharp edges left over from production.

1. Mark the position of the extractor mounting holes on the wall using the diagram below as a reference

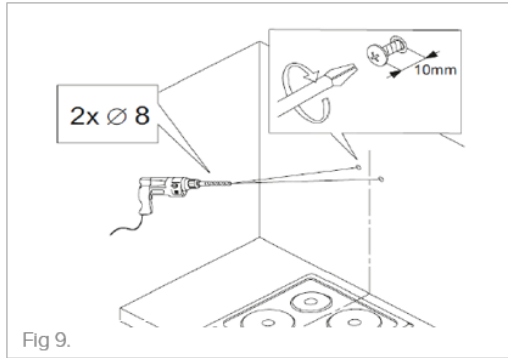


A: The height between the mounting holes and the bottom of the extractor – 380mm.

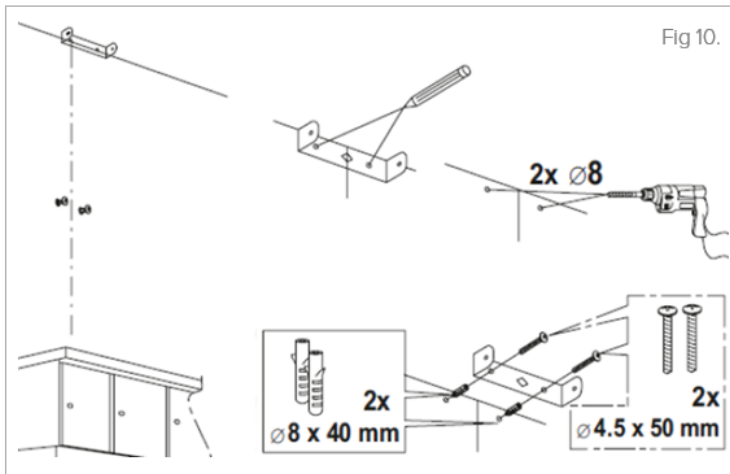
X: The width between the mounting holes – 400mm.

h: The required clearance distance between hob & extractor (fig. 7).

2. Drill two holes in the wall, insert suitable wall plugs and screws leaving 10mm of the thread exposed, as shown below.



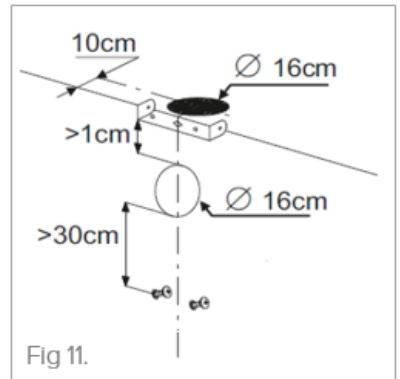
3. Secure the chimney fixing bracket to the wall directly below ceiling height, ensuring it is centrally located in reference to the extractor mounting holes shown in fig 8. Drill two holes and secure the chimney in place using suitable wall fixings and screws.



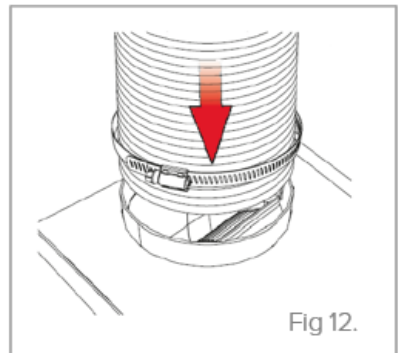
4. If the extractor is to be operated in extraction mode using ducting then a hole will need to be drilled in the rear wall or the ceiling to accommodate the 150mm ducting required.

If the hole is to be made in the rear wall, it should be positioned more than 1cm below the top bracket and 30cm above the extractor mounting holes in the wall.

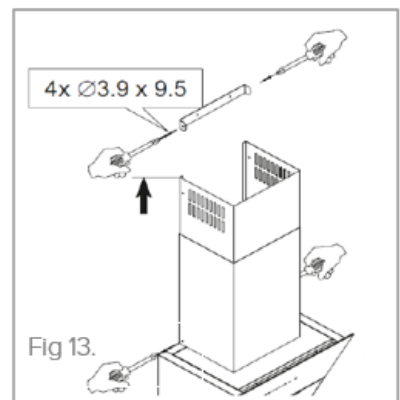
If the hole is to be made in the ceiling, it should be positioned 10cm away from the edge of the ceiling.



5. Lift the extractor onto the mounting screws on the wall and secure the ducting in place using an appropriate securing method, e.g. Duct tape or jubilee clip.



6. Sit the chimney onto the body of the extractor and secure in place using the provided screws.



## Care and maintenance

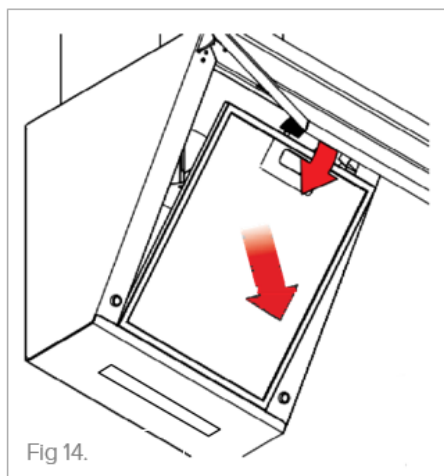
Regular maintenance and cleaning of the appliance will ensure trouble-free operation of the cooker hood and extend its life. Especially make sure that the grease filter and activated charcoal filter are replaced according to manufacturer's recommendations.

- Do not use a soaked cloth, sponge, or water jet.
- Do not use solvents or alcohol, as they may tarnish lacquered surfaces.
- Do not use caustic substances, especially for cleaning stainless steel.
- Do not use a rough or abrasive cloth.
- It is recommend to use a damp cloth and a neutral detergent.

**Note:** After several washes in the dishwasher, the colour of the aluminium filter may change. The change of colour does not indicate improprieties or the necessity to change it.

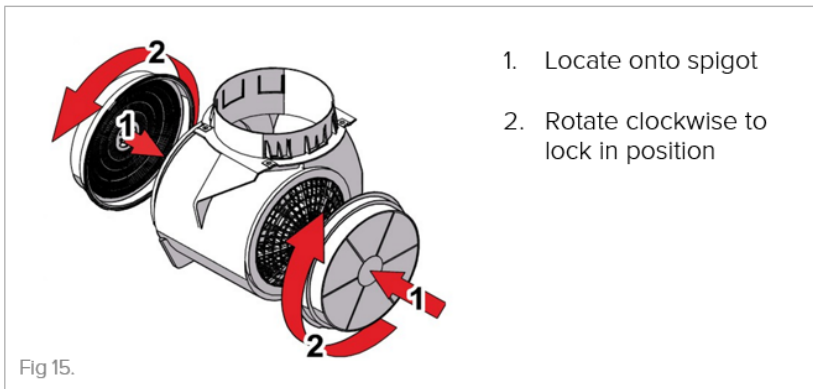
### Grease filter

The aluminium grease filter can be cleaned in the dishwasher or by hand using a mild detergent or liquid soap. Dismantling of grease filter is shown on Figure 5. Acrylic filter is used in some models. This filter should be replaced at least once every 2 months or more frequently if the appliance is used intensively.



## Activated charcoal filter

A charcoal filter is only required when the cooker hood is operating in recirculation mode. Activated charcoal filter can absorb odours until saturated. Charcoal filters are not suitable for washing or regeneration and should be replaced at least once every 3-4 months, or more frequently if the appliance is used intensively. The fitting and removal of the charcoal filter is shown in Figure 15.



## Contacting CDA Customer Care

A: Customer Care Department, The CDA Group Ltd,  
Harby Road, Langar, Nottinghamshire, NG13 9HY

T: 01949 862 012

F: 01949 862 003

E: [customer.care@cda.co.uk](mailto:customer.care@cda.co.uk)

W: [www.cda.co.uk](http://www.cda.co.uk)







**For service or queries relating to your product please contact:**

The Customer Care Department on **01949 862 012** or email [customer.care@cda.co.uk](mailto:customer.care@cda.co.uk)

**For more information please contact:**

The Sales Department on **01949 862 010** or email [sales@cda.co.uk](mailto:sales@cda.co.uk)

**Customer Care Department.** The CDA Group Ltd, Harby Road, Langar, Nottinghamshire, NG13 9HY  
T: 01949 862 012 F: 01949 862 003 E: [customer.care@cda.co.uk](mailto:customer.care@cda.co.uk)