

|C|D|A|

CCA52

CCA72

Canopy extractors

Installation, use and maintenance

Important

The CDA Group Ltd cannot be held responsible for injuries or losses caused by incorrect use or installation of this product. Please note that CDA reserve the right to invalidate the guarantee supplied with this product following incorrect installation or misuse of the appliance or use in a commercial environment.

This appliance is not designed to be used by people (including children) with reduced physical, sensorial or mental capacity, or who lack experience or knowledge about it, unless they have had supervision or instructions on how to use the appliance by someone who is responsible for their safety.

Under no circumstances should any external covers be removed for servicing or maintenance except by suitably qualified personnel.

Appliance information:

Please enter the details on the appliance rating plate below for reference, to assist CDA Customer Care in the event of a fault with your appliance and to register your appliance for guarantee purposes.

Appliance Model	
Serial Number	

Declarations of Conformity:

This appliance has been manufactured to comply with all EU & UK statutory requirements and complies with all applicable legislation and the following European Directives:

- The Low Voltage Directive 2014/35/EU
- Electromagnetic Compatibility Directive 2014/30/EU

The product has been marked with the UKCA and CE symbols.



This appliance is marked according to the European directive 2004/104/EC on Waste Electrical and Electronic equipment (WEEE).

IMPORTANT INFORMATION FOR CORRECT DISPOSAL OF THE PRODUCT IN ACCORDANCE WITH EC DIRECTIVE 2012/19/EU.

At the end of its working life, the product must be taken to a special local authority waste collection centre or to a dealer providing appliance recycling services. Disposing of a household appliance separately avoids possible negative consequences for the environment and health. It also enables the constituent materials to be recovered, saving both energy and resources. As a reminder of the need to dispose of household appliances separately, the product is marked with a crossed-out wheeled dustbin.

Please note:

- Under no circumstances should the extractor be connected to any gas ventilation system, flue system or hot air ducting system.
- Do not vent the extractor into an attic or loft space.
- Only house the extractor in rooms with adequate ventilation. Remember that the extractor is powerful and whatever air is extracted needs to be replaced.
- Do not tile the extractor in. It should be removable for service or maintenance.
- Do not use silicone sealant to secure the hood to the wall.
- You must be able to isolate the extractor from the mains electrical supply after installation.
- This extractor has been designed to be used in a room with a volume of less than 36m³.
- Steam cleaners must not be used when cleaning this appliance.
- The performance of your extractor will vary depending on a number of factors. These include: type of extraction, length of ducting, room volume, ventilation available and cleanliness of the filters.

Using your Extractor

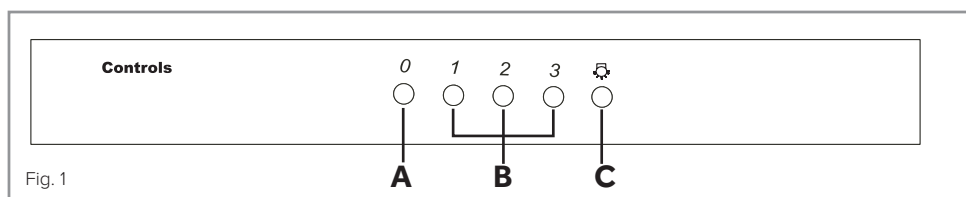
For best performance, you should switch on the extractor 15 minutes before starting to cook and leave it to run for approximately 15 minutes after the end of cooking.

Control Panel

A - Power off button

B - Speed level buttons

C - Light button



To switch the extractor light on or off

- Press button "C".

To switch on the extractor or to change the speed at any time when the extractor is running

- Press the relevant "B" button for the first, second or third speed level as required.

To switch the extractor off

- Press the "A" button.

Care and Maintenance

IMPORTANT: DO NOT PERFORM MAINTENANCE OR CLEANING OF THE EXTRACTOR WITHOUT FIRST SWITCHING OFF THE ELECTRICITY SUPPLY.

Cleaning

You should use a non-abrasive cleaner. Any abrasive cleaner (including Cif) will scratch the surface and could erase the control panel markings.

You can clean you extractor effectively by simply using a dilute solution of water and mild detergent and drying to a shine with a clean cloth.

Cleaning the grease filter

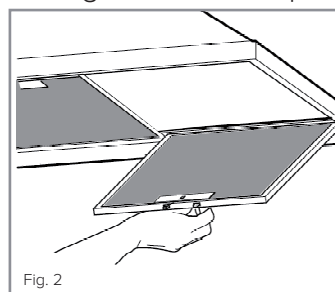
The grease filter should be kept clean to minimize the risk of fire.

At least once a month the grease filters should be removed and cleaned with warm soapy water. You can also wash the grease filters in a dishwasher, ensuring that the filters are put in an upright position to prevent damage from other items in the dishwasher. After rinsing and drying, replace the filter.

To remove the grease filter, push in the button on the handle and then pull down on the filter at the front. When you have released it at the front, then you can pull out the filter. To replace the grease filter, repeat the steps in reverse.

Please note:

Cleaning the grease filter in the dishwasher may lead to discolouration. This is normal and does not constitute a fault with the appliance.



The extractor must not be used without the grease filter in place.

Charcoal filter

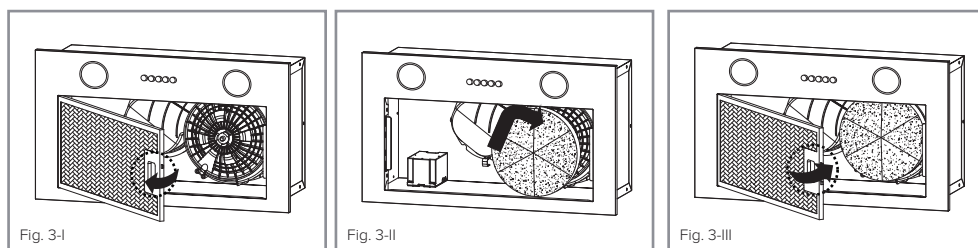
In re-circulating mode, air is vented back into the kitchen through the opening in the cooker hood.

This method is advised if you are not using your hob intensively.

Re-circulated air requires the use of charcoal filters to remove odours.

To ensure the best performance from your cooker hood, the charcoal filter should be replaced every 3-6 months, dependent on use.

Note: This charcoal filter is non-washable and must be replaced as required.

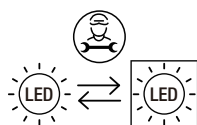


To attach a new charcoal filter, follow the steps below:

1. Remove the grease filter (fig.3-I).
2. Place the charcoal filter on the centre of the motor support. Once firmly located, turn the charcoal filter clockwise 90 degrees until the filter locks into position(fig.3-II).
3. Replace the grease filter (fig.3-III).

The LED lights

In case of malfunction of the illumination system contact CDA customer care.



Replaceable (LED only) light source by a professional

Electrical Information

Mains electrical voltage: 230 – 240Vac

Total rated power consumption: 44W

Troubleshooting

Please note:

Your extractor is equipped with a motor protection device that will switch off the motor to prevent damage from overheating. This may happen during cooking when most or all of the zones/burners are being used simultaneously, or if your extractor is installed incorrectly, lower than the recommended height. This is normal, and the extractor will work again once the motor has cooled sufficiently.

If your extractor is not working:

1. Check that the mains supply has not been switched off.
2. Check that the fuse in the spur has not blown.

Contact CDA Customer Care

A: Customer Care Department, The CDA Group Ltd, Harby Road,
Langar, Nottinghamshire, NG13 9HY

T: 01949 862 012

F: 01949 862 003

E: customer.care@cda.co.uk

W: www.cda.co.uk

Mains electrical connection

Warning! This appliance must be earthed.

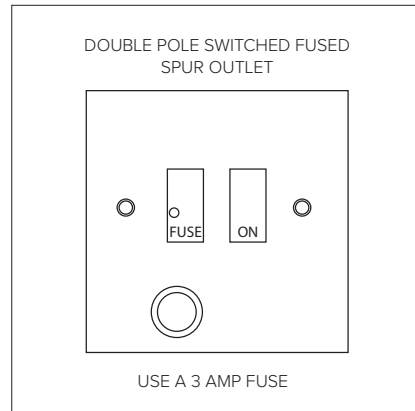
This appliance must be connected by a competent person, using fixed wiring via a double pole switched fused spur outlet, protected by a 3A fuse.

We recommend that the appliance is connected by a qualified electrician, who is a member of the N.I.C.E.I.C. and who will comply with the I.E.T. and local regulations. The wires in the mains lead are coloured in accordance with the following code:

GREEN AND YELLOW = EARTH

BLUE = NEUTRAL

BROWN = LIVE



As the colours of the wires in the mains lead for the appliance may not correspond with the coloured markings identifying the terminals in your spur box, proceed as follows:

1. The wire which is coloured green and yellow must be connected to the terminal marked E (Earth) or coloured green
2. The wire which is coloured blue must be connected to the terminal marked N (Neutral) or coloured black
3. The wire which is coloured brown must be connected to the terminal marked L (Live) or coloured red

Installation

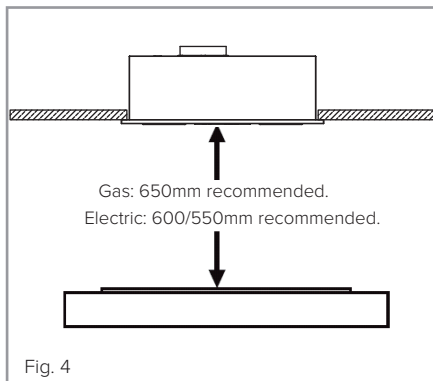
When the extractor is to be installed above an electric hob, the minimum distance between the hob and extractor must exceed 600mm for ceramic and solid plate hobs and 550mm for induction Hobs.

When the extractor is to be installed above a gas hob, the minimum distance between the hob and extractor must exceed 650mm.

If the instructions provided with your gas hob state that the required distance between the hob and the extractor must be greater than 650mm, then that is the distance which should be observed. This is a legal requirement and may lead to your hob being disconnected from the gas supply and the installation reported to RIDDOR (the height should be measured from the top of the burners).

IN THE ABSENCE OF ANY INSTRUCTIONS SUPPLIED WITH THE GAS HOB, THE MINIMUM DISTANCE BETWEEN THE HOB AND EXTRACTOR MUST BE AT LEAST 650mm.

The width of any hob must not be greater than the width of the extractor installed above it.



Extractor dimensions.

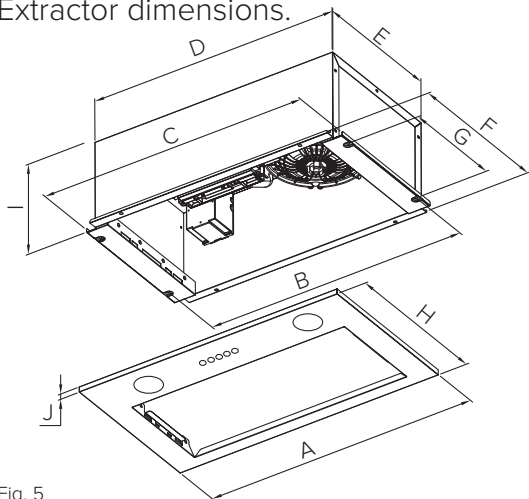


Fig. 5

	CCA52	CCA72
A	518	698
B	499	679
C	515	695
D	480	660
E	260	260
F	274	277
G	200	200
H	282	282
I	173	173
J	10	10

INSTALLATION

Mark out the dimensions of the cut-out based on your extractor.

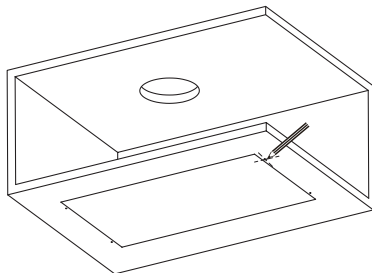
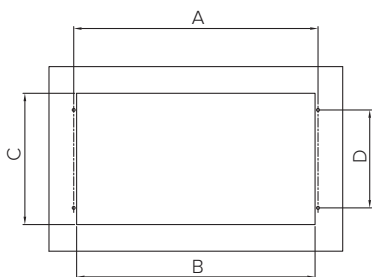


Fig. 6

	CCA52	CCA72
A	499	679
B	487	667
C	268	268
D	200	200

INSTALLATION

Remove the grease filter, unscrew the 4 screws of the fixed panel and remove it.

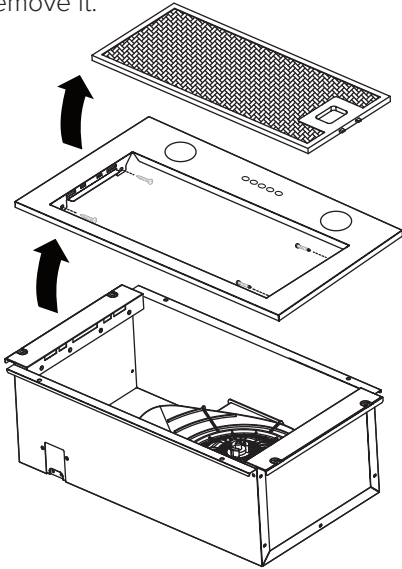


Fig. 7

Connect the exhaust pipe to the ducting adaptor and locate on the extractor as indicated.

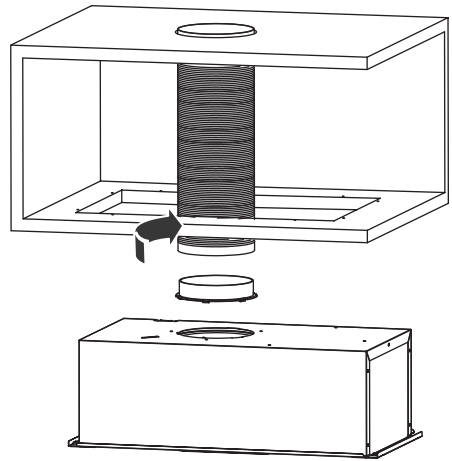


Fig. 8

Place the extractor into the cabinet opening and secure it with screws.

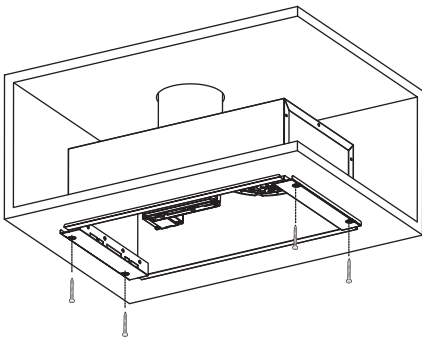


Fig. 9

Secure the panel on with the 4 previously removed screws (Fig 7) and insert the grease filter.

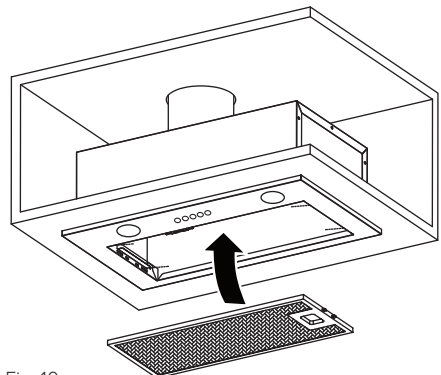


Fig. 10

Energy Efficiency Information				
Attribute	Symbol	Value		Units
Model Identification		CCA52	CCA72	
Annual Energy Consumption	AEC _{Hood}	28.7	28.7	kWh
Time increase factor	f	1.7	1.7	
Fluid Dynamic Efficiency	FDE _{Hood}	8.3	8.3	
Energy Efficiency Index	EEL _{Hood}	71.2	71.2	
Measured airflow at Best Efficiency Point	Q _{BEP}	108	108	m ³ /h
Measured Pressure at Best Efficiency Point	P _{BEP}	119	119	Pa
Maximum airflow	Q _{MAX}	200	200	m ³ /h
Measured electric power at Best Efficiency Point	W _{BEP}	41.5	41.5	W
Nominal lighting power	WL	4.0	4.0	W
Average illumination of the lighting system on the cooking surface	E _{Middle}	200	200	Lux
Measured power consumption in standby	P _S	N/A	N/A	W
Measured power consumption off mode	P _O	0.0	0.0	W
Sound power level	L _{WA}	64	64	dBA
Grease Filter Efficiency	GFE _{Hood}	45.1 (F)	45.1 (F)	%
Lamp efficiency	LE _{Hood}	50 (A)	50 (A)	%

E & O E. All instructions, dimensions and illustrations are provided for guidance only. CDA reserve the right to change specifications without prior notice.

GUARANTEE

Your new product is guaranteed against defects in materials and/or workmanship. Any parts found to be defective will be repaired or replaced at our discretion. All repairs must be carried out by an authorised service engineer.

THIS GUARANTEE IS VALID PROVIDING THAT :

- The appliance has been installed by a suitably qualified person
- Installation has been carried out in accordance with instructions and current legislation
- Proof of purchase can be produced
- The appliance has been used for domestic purposes only
- The appliance has not been tampered with or repair attempted or modified by any unauthorised person

THIS GUARANTEE DOES NOT COVER :

- Damage by misuse, neglect or transit
- Use of parts that have not been recommended
- Routine maintenance, general wear & tear and installation faults
- Rubber seals, removable glass and/or plastic parts, fuses or light bulbs which all need replacing periodically
- Second-hand or reconditioned appliances
- Appliances used for commercial or professional purposes

This guarantee does not in any way affect your statutory legal rights.

The CDA Group

Harby Road
Langar
Nottinghamshire
NG13 9HY

Sales Department Phone: 01949
862010 **Email:** sales@cda.co.uk

Customer Care

Phone: 01949 862012 **Email:**
customer.care@cda.co.uk

