



Passionate about style

For Service & Technical Support Call: 01949 862012
Fax: 01949 862003
Email: service@cda.eu

TC75 - Contemporary single lever

5 Year warranty:

In the unlikely event that you should experience any defect in the materials or workmanship of your new CDA mixer within FIVE years of purchase, the purchaser's sole remedy shall be the replacement (at the manufacturer's discretion) of all or any part of the product that is defective. All working parts and valves are guaranteed for a period of TWO years from purchase. Decorative surface finishes and O-rings are guaranteed for ONE year from the date of purchase provided that our advice concerning care has been observed. This is provided that the mixer has been used for normal domestic purposes in the UK and that the care, installation and maintenance instructions have been observed. The warranty extends to the original purchaser only. You should retain a copy of your dated invoice as proof of purchase to validate any claims under this guarantee.

Care Instructions for your Kitchen Sink Mixer:

To maintain the appearance of this tap, ensure that it is regularly cleaned only using a clean, soft damp cloth. A solution of warm water and a mild liquid detergent may be used where necessary, and then the fitting rinsed thoroughly and wiped dry. Any other cleaning action will invalidate your warranty. If the tap has a diffuser it should be cleaned periodically.

Abrasive cleaners, scouring cleaners and acidic cleaners **must not be used** under any circumstances. Avoid contact with all solvents (including chlorinated solvents, ketones or acetones as these may result in surface deterioration or etching). Also avoid contact with any harsh household chemicals such as oven cleaners, drain cleaners, rust removers, paint strippers and toilet bowl cleaners, bar keepers friend or Brasso.

Important Technical Data:

Minimum operating pressure 0.5 bar	Maximum hot water temperature 70°C*
Maximum operating pressure 5.5 bar*	Recommended hot water temperature 46°C

*If these temperatures or pressures are exceeded, even for short periods, damage can result.

CDA taps are either WRAS approved or manufactured in accordance with recognised European standards. Please ensure that your Kitchen mixer is fitted in accordance with Local Water Byelaws.

These installation guidelines have been prepared for your direction and you must exercise due care at all times. We do not accept responsibility for problems that may occur through improper installation. Whilst assembling the tap take care not to accidentally loosen any screwed assemblies.

Installation Preparation:

Before installing the new mixer it is essential that you thoroughly flush through the supply pipes in order to remove any remaining solder, swarf or impurities from your system. Failure to carry out this simple procedure could cause problems or damage to the workings of the mixertap.

We strongly recommend installing particle filter strainers and isolation valves to both the hot and cold feed pipes in an accessible position. This will help to prevent premature failure of the valves and ease any future maintenance.

All parts should be removed from their packaging and inspected for any transport damage prior to installation.

Shut off your water heating system and ensure that your mains stopcock is closed. Open the lowest hot and cold taps in the house and allow the water to run until the cold-water storage tank and pipes are fully empty. Please note, the hot water storage cylinder (if applicable) will always remain full.

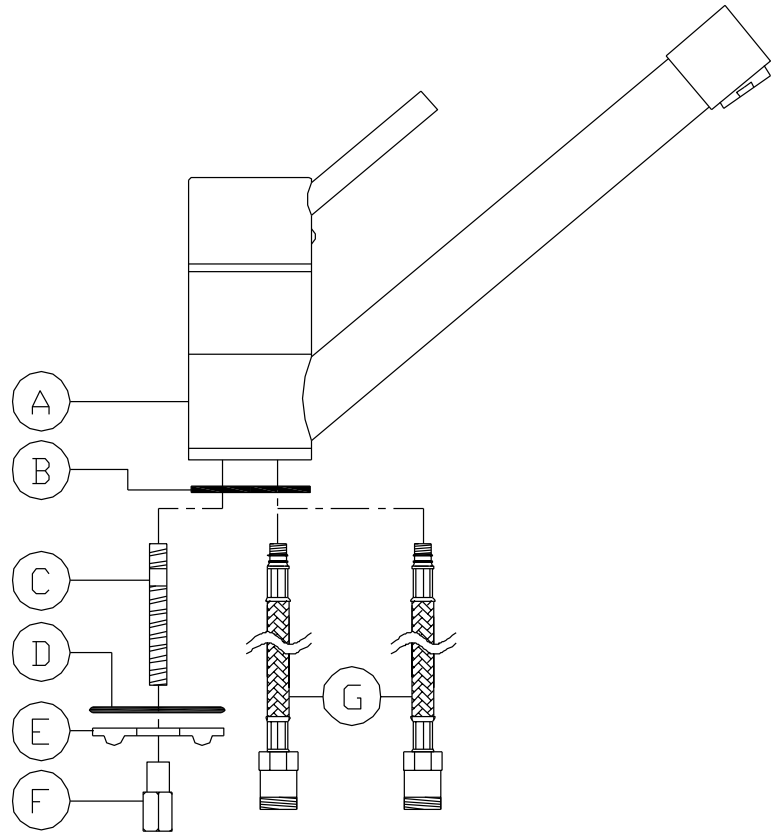
This mixertap requires a 35mmØ tap hole, if replacing an existing tap, remove the tap & clean the end of the feed pipes using wire wool the tap hole area should be free from dirt and sealant.

Loosely position the tap and tail pipes to check if any alteration to the existing pipework is required, if this is the case do this now.

Installation:

1. Screw in the studded rod (C) into the base of the tap (A).
2. Place the upper seal (B) onto the base of the tap (A).
3. Screw the hot & cold water tail pipes (G) into the base of the tap.
4. Place the mixertap (A) onto the sink or worktop, pass the tail pipes (G) and studded rod (C) through the taphole.
5. Pass the rubber and then metal horseshoe (D&E) over the studded rod (C) and around the tail pipes.
6. Fasten the fixing nut (F) securely onto the fixing stud (C) to fix the tap into its correct location.
7. Connect the hot and cold tail pipes (G) to the water mains using a 1/2" BSPx15mm compression fittings.

Key:	Description:	Qty
A	Mixertap body	1
B	Upper seal	1
C	Fixing stud	1
D	Rubber horseshoe	1
E	Metal horseshoe	1
F	Fixing nut	1
G	Hot & cold flexible tail pipes	2



After installation:

Once you have visually checked the new fittings and connections, ensure that all taps are closed except the new mixer tap, which should be left open. Turn on the water supply at the mains stop cock. As the system starts to refill, **check carefully for leaks**. Once you are fully satisfied that there are no leaks, turn on the water heating.

Clean the tap to remove any marks created during installation as instructed then replace the bag that has been provided to protect the tap until it is ready for use.