



Passionate about style

For Service & Technical Support Call: 01949 862012
Fax: 01949 862003
Email: service@cda.eu

TL1 - Lumina single lever

5 Year warranty:

In the unlikely event that you should experience any defect in the materials or workmanship of your new CDA mixer within FIVE years of purchase, the purchaser's sole remedy shall be the replacement (at the manufacturer's discretion) of all or any part of the product that is defective. All working parts and valves are guaranteed for a period of TWO years from purchase. Decorative surface finishes and O-rings are guaranteed for ONE year from the date of purchase provided that our advice concerning care has been observed. This is provided that the mixer has been used for normal domestic purposes in the UK and that the care, installation and maintenance instructions have been observed. The warranty extends to the original purchaser only. You should retain a copy of your dated invoice as proof of purchase to validate any claims under this guarantee.

Care Instructions for your Kitchen Sink Mixer:

To maintain the appearance of this tap, ensure that it is regularly cleaned only using a clean, soft damp cloth. A solution of warm water and a mild liquid detergent may be used where necessary, and then the fitting rinsed thoroughly and wiped dry. Any other cleaning action will invalidate your warranty. If the tap has a diffuser it should be cleaned periodically.

Abrasive cleaners, scouring cleaners and acidic cleaners **must not be used** under any circumstances. Avoid contact with all solvents (including chlorinated solvents, ketones or acetones as these may result in surface deterioration or etching). Also avoid contact with any harsh household chemicals such as oven cleaners, drain cleaners, rust removers, paint strippers and toilet bowl cleaners, bar keepers friend or Brasso.

Important Technical Data:

Minimum operating pressure 1.25 bar
Maximum operating pressure 5.5 bar*
Power consumption 2.7W (max)

Maximum hot water temperature 70°C*
Recommended hot water temperature 46°C
DC inputs: 9V – 300mA (max)
Supplied transformer: linear, 200 V AC 50Hz 500 mA

*If these temperatures or pressures are exceeded, even for short periods, damage can result.

CDA taps are either WRAS approved or manufactured in accordance with recognised European standards. Please ensure that your Kitchen mixer is fitted in accordance with Local Water Byelaws.

These installation guidelines have been prepared for your direction and you must exercise due care at all times. We do not accept responsibility for problems that may occur through improper installation. Whilst assembling the tap take care not to accidentally loosen any screwed assemblies.

Installation Preparation:

Before installing the new mixer it is essential that you thoroughly flush through the supply pipes in order to remove any remaining solder, swarf or impurities from your system. Failure to carry out this simple procedure could cause problems or damage to the workings of the mixertap.

We strongly recommend installing particle filter strainers and isolation valves to both the hot and cold feed pipes in an accessible position. This will help to prevent premature failure of the valves and ease any future maintenance.

All parts should be removed from their packaging and inspected for any transport damage prior to installation.

Shut off your water heating system and ensure that your mains stopcock is closed. Open the lowest hot and cold taps in the house and allow the water to run until the cold-water storage tank and pipes are fully empty. Please note, the hot water storage cylinder (if applicable) will always remain full.

This mixertap requires a 35mmØ tap hole, if replacing an existing tap, remove the tap & clean the end of the feed pipes using wire wool the tap hole area should be free from dirt and sealant.

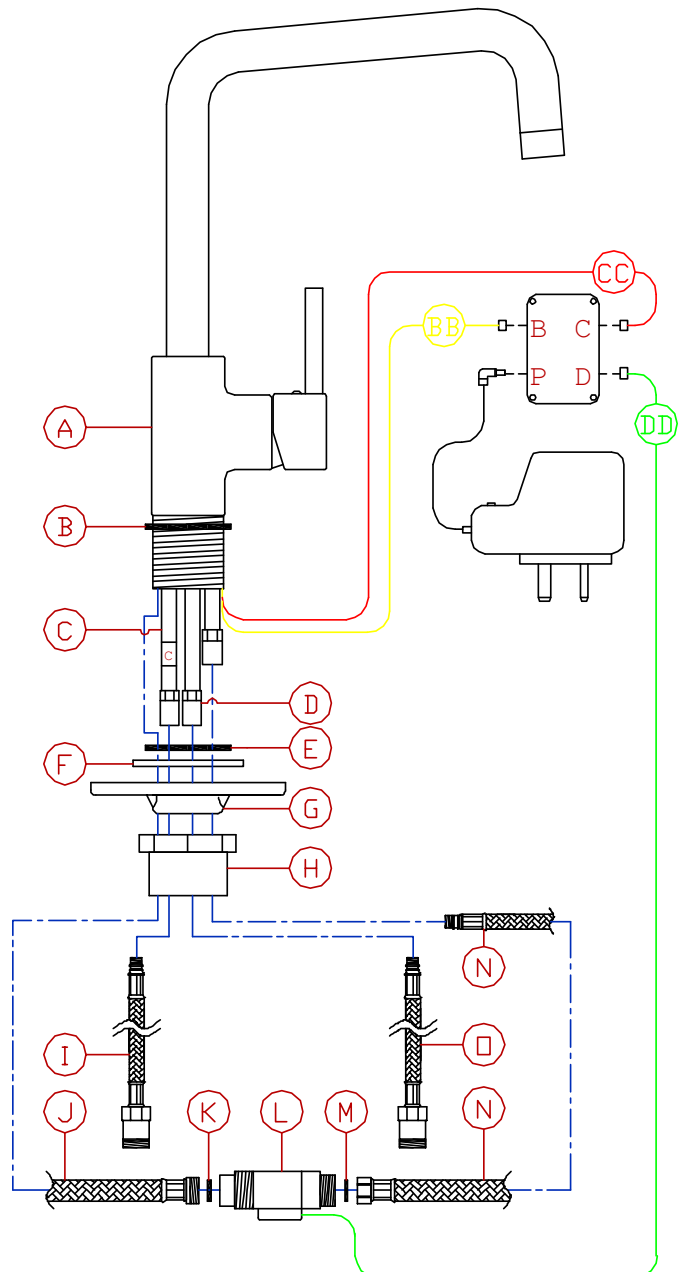
Loosely position the tap and tail pipes to check if any alteration to the existing pipework is required, if this is the case do this now.

Installation:

1. Pass the upper seal (B) over all wires and pipes onto the base of the tap (A).
2. Pass the threaded section of the mixertap base (A), all wires and pipes through the taphole.
3. Pass the lower washer (E), metal washer (F), and white triangular stabiliser (G) (if fitting to a stainless steel sink) over all wires, pipes and the threaded section of the mixertap base (A).
4. Pass the fixing nut (H) over all wires and pipes onto the threaded section base of the tap (A). With the tap correctly located tighten the fixing nut fully.
5. Screw the hot flexible tail pipe (I) into the hot inlet pipe (C). note hot inlet pipe is tagged with [c].
6. Screw the cold flexible tail pipe (O) into the cold inlet pipe (D).
7. Connect the hot & cold flexible tail pipes (I&O) to the water supplies using ½" BSPx15mm compression fittings.
8. Screw the brass sensor (L) to the mixed water out flexible pipe (J), use the rubber washer (K) between the parts to ensure a water tight seal.
9. Screw the mixed water in flexible pipe (N) to the brass temperature sensor (L) use the rubber washer (M) between the parts to ensure a water tight seal.
10. Connect the input / output wires (BB,CC & DD) to the control box as shown, note the control box and wire tags are colour coded in pairs. Important: Do not force the connectors incorrectly into the sockets and check the layout of the connections now.
11. Plug the transformer into a mains outlet; **IMPORTANT: ensure the transformer is set to 9V.**
12. Connect the power lead to the control box (P), secure the control box using a cable tie or double sided foam tape.

Note: Above 45°C the tap will light fully red, below 20°C the tap will light fully blue, in between these temperatures the light will be purple. The light will only activate at a flow rate above 1 litre / minute.

Key:	Description:	Qty
A	Mixertap body	1
B	Upper seal	1
C	Hot water inlet pipe	1
D	Cold water inlet pipe	1
E	Lower washer	1
F	Metal washer	1
G	White triangular stabilizer (use only if installing tap to stainless steel sink)	1
H	Fixing nut	1
I	Hot flexible tail pipe	1
J	Mixed water in flexible pipe	1
K	Rubber washer	1
L	Brass sensor	1
M	Rubber washer	1
N	Mixed water out flexible pipe	1
O	Cold flexible tail pipe	1
	Mains Transformer	1
BB	black wire, yellow tag	
CC	Grey wire, red tag	
DD	Black wire, green tag	



After installation:

Once you have visually checked the new fittings and connections, ensure that all taps are closed except the new mixer tap, which should be left open. Turn on the water supply at the mains stop cock. As the system starts to refill, **check carefully for leaks**. Once you are fully satisfied that there are no leaks, turn on the water heating.

Clean the tap to remove any marks created during installation as instructed then replace the bag that has been provided to protect the tap until it is ready for use.