

# ECP & ECN

Extractors

Installation, use and maintenance

# Contents

- 3 Important information
- 4 Important notes
- 5 Using your extractor
- 6 Care and maintenance
- 7 Changing the charcoal filter
- 8 Mains electricity connection
- 10 Electrical information
- 10 Troubleshooting
- 11 Mounting your extractor
- 12 Installation
- 12 Ducting
- 13 Installation diagrams
- 14 Installation diagrams
- 15 Energy efficiency information

## Important

The CDA Group Ltd cannot be held responsible for injuries or losses caused by incorrect use or installation of this product. Please note that CDA reserve the right to invalidate the guarantee supplied with this product following incorrect installation or misuse of the appliance or use in a commercial environment.

This appliance is not designed to be used by people (including children) with reduced physical, sensorial or mental capacity, or who lack experience or knowledge about it, unless they have had supervision or instructions on how to use the appliance by someone who is responsible for their safety.

Under no circumstances should any external covers be removed for servicing or maintenance except by suitably qualified personnel.

### Appliance information:

Please enter the details on the appliance rating plate below for reference, to assist CDA Customer Care in the event of a fault with your appliance and to register your appliance for guarantee purposes.

Appliance Model	
Serial Number	

### Declarations of Conformity:

This appliance has been manufactured to comply with all EU & UK statutory requirements and complies with all applicable legislation and the following European Directives:

- The Low Voltage Directive 2014/35/EU
- Electromagnetic Compatibility Directive 2014/30/EU

The product has been marked with the UKCA and CE symbols.



This appliance is marked according to the European directive 2004/104/EC on Waste Electrical and Electronic equipment (WEEE).

**IMPORTANT INFORMATION FOR CORRECT DISPOSAL OF THE PRODUCT IN ACCORDANCE WITH EC DIRECTIVE 2012/19/EU.**

At the end of its working life, the product must be taken to a special local authority waste collection centre or to a dealer providing appliance recycling services.

Disposing of a household appliance separately avoids possible negative consequences for the environment and health. It also enables the constituent materials to be recovered, saving both energy and resources. As a reminder of the need to dispose of household appliances separately, the product is marked with a crossed-out wheeled dustbin.

**Please note:**

- Under no circumstances should the extractor be connected to any gas ventilation system, flue system or hot air ducting system.
- Do not vent the extractor into an attic or loft space.
- Only house the extractor in rooms with adequate ventilation. Remember that the extractor is powerful and whatever air is extracted needs to be replaced.
- Do not tile the extractor in. It should be removable for service or maintenance.
- Do not use silicone sealant to secure the hood to the wall.
- You must be able to isolate the extractor from the mains electrical supply after installation.
- This extractor has been designed to be used in a room with a volume of less than 36m<sup>3</sup>.
- Steam cleaners must not be used when cleaning this appliance.
- The performance of your extractor will vary depending on a number of factors. These include: type of extraction, length of ducting, room volume, ventilation available and cleanliness of the filters.

# Using your Extractor

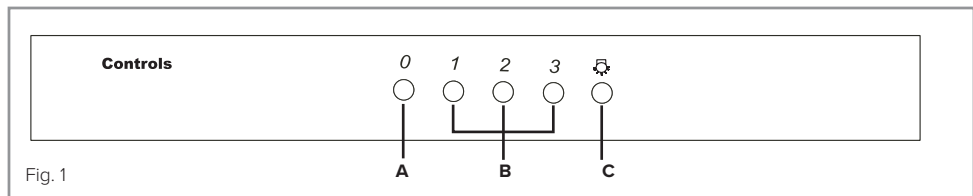
For best performance, you should switch on the extractor 15 minutes before starting to cook and leave it to run for approximately 15 minutes after the end of cooking.

## Control Panel

A - Power off button

B - Speed level buttons

C - Light button



## To switch the extractor light on or off

- Press button “C”.

## To switch on the extractor or to change the speed at any time when the extractor is running

- Press the relevant “B” button for the first, second or third speed level as required.

## To switch the extractor off

- Press the “A” button.

## Care and Maintenance

**IMPORTANT : DO NOT PERFORM MAINTENANCE OR CLEANING OF THE EXTRACTOR WITHOUT FIRST SWITCHING OFF THE ELECTRICITY SUPPLY.**

### Cleaning

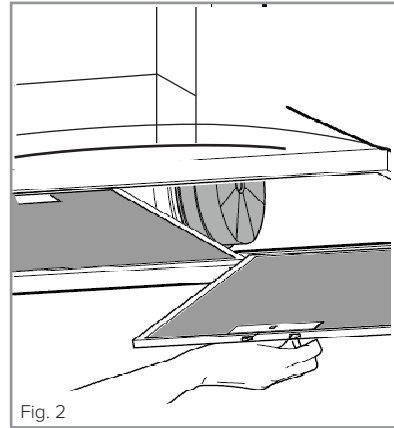
You should use a nonabrasive cleaner. Any abrasive cleaner (including Cif) will scratch the surface and could erase the control panel markings.

You can clean your extractor effectively by simply using a dilute solution of water and mild detergent and drying to a shine with a clean cloth, for example a microfibre cloth.

### Cleaning the grease filter

The grease filter should be kept clean to minimise the risk of fire.

At least once a month you should remove and clean the grease filter with hot soapy water. You can also wash the grease filter in a dishwasher, ensuring that you place it in an upright position to



prevent damage from other items in the dishwasher.

To remove the grease filter, push in the button on the handle and then pull down on the filter at the front as shown in figure 2. When you have released it at the front, then you can pull the filter out completely.

After rinsing and drying, reassemble the grease filter to the hood by reversing the removal process.

**Please note:**

Cleaning the grease filter in the dishwasher may lead to discolouration. This is normal and does not constitute a fault with the appliance.

**Changing the charcoal filter (re-circulating only)**

To ensure best performance of your extractor, you should replace the charcoal filter every four to six months, depending on use.

To attach a new charcoal filter, first remove the grease filters as described above.

Offer up the charcoal filter so that the magnetic pins are facing upwards, one to the rear and one to either side. The filter will be held in place by magnetic force. Finally replace the grease filters.

# Mains Electricity Connection

**THIS APPLIANCE MUST BE CONNECTED TO THE MAINS SUPPLY BY A COMPETENT PERSON, USING FIXED WIRING VIA A DOUBLE POLE SWITCHED FUSE SPUR OUTLET AND PROTECTED BY A 3A FUSE.**

We recommend that the appliance is connected by a qualified electrician, who is a member of the N.I.C.E.I.C. and who will comply with the I.E.T. and local regulations.

The wires in the mains lead of this appliance are coloured in accordance with the following code:

**Green & Yellow = Earth**

**Blue = Neutral**

**Brown = Live**

As the colours of the wires in the mains lead for the appliance may not correspond with the coloured markings identifying the terminals connecting to the fuse spur, proceed as follows:

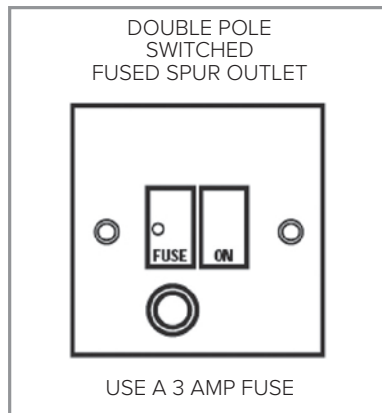
- The wire which is coloured green and yellow must be connected to the terminal marked E (Earth) or coloured green.
- The wire which is coloured blue must be connected to the terminal marked N (Neutral) or coloured black.
- The wire which is coloured brown must be connected to the terminal marked L (Live), or coloured red.

**Note: Use a 3A Fuse.**



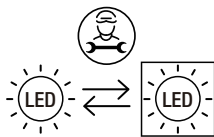
Assembly and electrical connection should be carried out by specialised personnel.

When installing this product we recommend you seek the help of another individual.



## LED lighting

**In case of malfunction of the illumination system contact the technical service.**



Replaceable (LED only) light source by a professional

Contact details are on page 10.

# Electrical Information

Mains electrical voltage: 230 – 240Vac

## **Total rated power consumption:**

104W

# Troubleshooting

## **Please note:**

Your extractor is equipped with a motor protection device that will switch off the motor to prevent damage from overheating. This may happen during cooking when most or all of the zones/burners are being used simultaneously, or if your extractor is installed incorrectly, lower than the recommended height.

This is normal, and the extractor will work again once the motor has cooled sufficiently.

## **If your extractor is not working:**

1. Check that the mains supply has not been switched off.
2. Check that the fuse in the spur has not blown.

## **Contact CDA Customer Care**

**A:** Customer Care Department, The CDA Group Ltd, Harby Road,  
Langar, Nottinghamshire, NG13 9HY

**T:** 01949 862 012

**F:** 01949 862 003

**E:** [customer.care@cda.eu](mailto:customer.care@cda.eu)

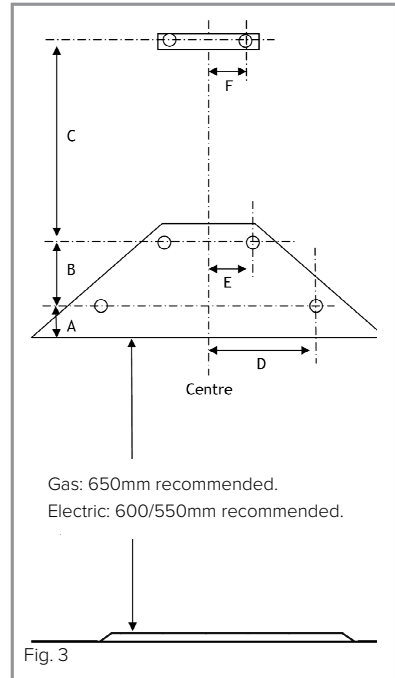
**W:** [www.cda.eu](http://www.cda.eu)

# Mounting your Extractor

When the extractor is to be installed above an electric hob, the minimum distance between the hob and extractor must exceed 600mm for ceramic and solid plate hobs and 550mm for induction Hobs.

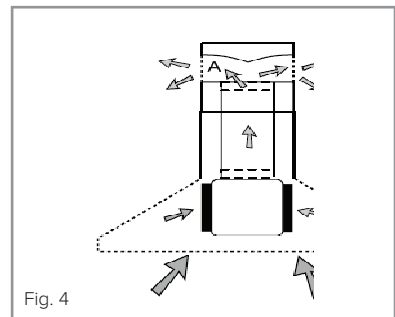
When the extractor is to be installed above a gas hob, the minimum distance between the hob and extractor must exceed 650mm.

If the instructions provided with your gas hob state that the required distance between the hob and extractor must be greater than 650mm, then that is the distance that should be observed; this is a legal requirement and may lead to your hob being disconnected from the gas supply and the installation being reported under RIDDOR (the height should be measured from the top of the burners).



	ECP	ECN
<b>A</b>	53	72
<b>B</b>	226	226
<b>C</b>	512	512
<b>D</b>	105	105
<b>E</b>	75	75
<b>F</b>	73	73

Table 2



**IN THE ABSENCE OF ANY INSTRUCTIONS SUPPLIED WITH THE GAS HOB, THE MINIMUM DISTANCE BETWEEN THE HOB AND EXTRACTOR MUST BE AT LEAST 650mm.**

The width of any hob must not be greater than the width of the extractor installed above it.

## **Installation**

**The metal casing of this appliance has been coated with a preservative to protect it during transport and storage. This should be removed during installation by using a non-abrasive stainless steel cleaner. Always follow the instructions given with the cleaner being used.**

### **Ducting and Ventilation**

For best performance and lowest noise output, we recommend the use of 125mm ducting. 100mm ducting may be used but this will reduce performance and increase the noise of the extractor.

The ducting used should be rigid circular pipe and must be manufactured from fire retardant material, produced to BS 476 or DIN 4102-B1. The lengths of ducting with minimal effect on performance are as follows:

- 4 metres with 1 x 90° bend.
- 3 metres with 2 x 90° bends.
- 2 metres with 3 x 90° bends.

Longer ducting can be used but the performance of the extractor will likely be reduced.

### Tools required

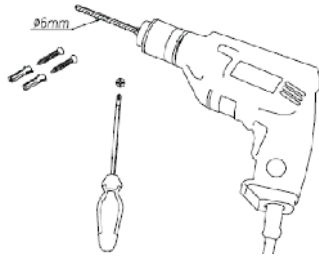


Fig. 5

### Mark wall as required (see table 2)

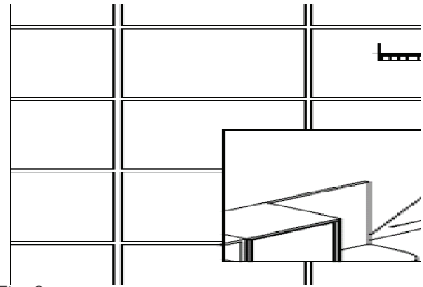


Fig. 6

### Drill holes

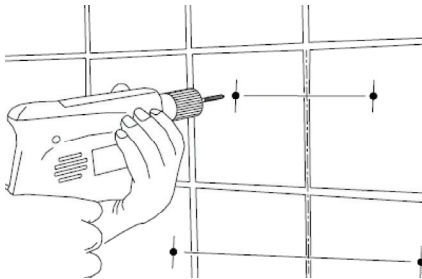


Fig. 7

### Fit wall fixings and top screws - Ensure that any fixings you use are appropriate for the wall type.

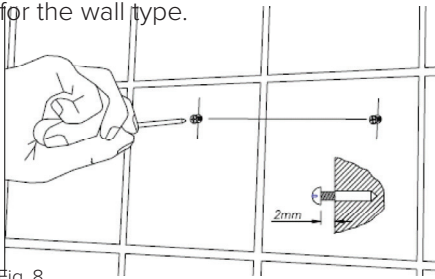


Fig. 8

### Secure hood (tighten all screws)

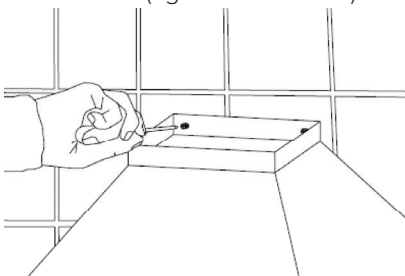


Fig. 9

### Fit ducting adaptor

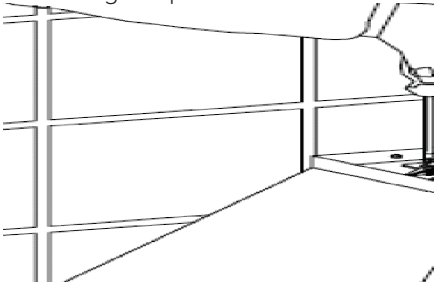


Fig. 10

**IMPORTANT SAFETY WARNING: ONLY USE THE SCREWS PROVIDED WITH THE EXTRACTOR TO MOUNT THE DUCTING ADAPTOR. THE USE OF LONGER SCREWS MAY CAUSE DAMAGE TO THE INTERNAL WIRING WHICH WILL NOT BE COVERED BY THE WARRANTY.**

Mount upper and lower chimney brackets

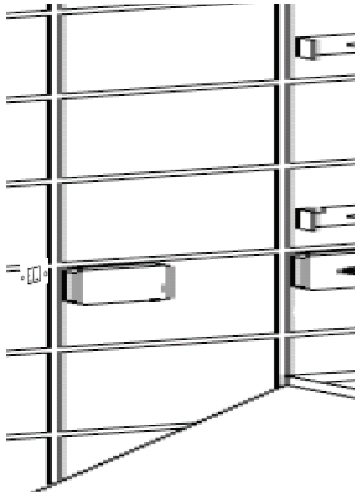


Fig. 11

Fix ducting (seal joint)

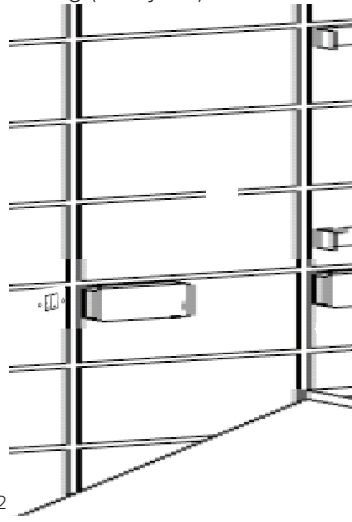


Fig. 12

Mount the chimney

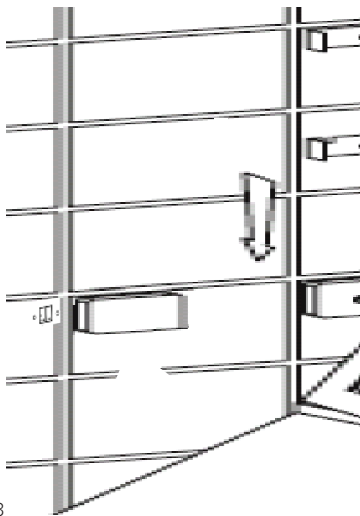


Fig. 13

Adjust and secure the chimney

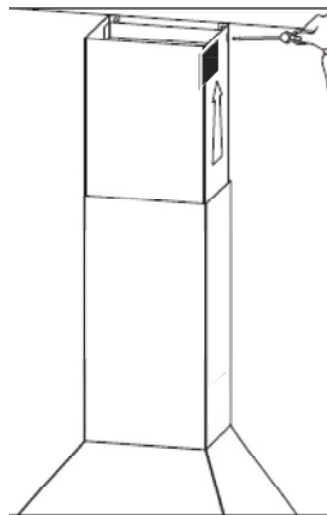


Fig. 14

E & O E. All instructions, dimensions and illustrations are provided for guidance only. CDA reserve the right to change specifications without prior notice.

Energy Efficiency Information					
Attribute	Symbol	Value			Units
Model Identification		ECN62/72/92	ECP62/72/82	ECP92/102/112	
Annual Energy Consumption	AEC <sub>Hood</sub>	60	60	60	kWh
Time increase factor	f	1.7	1.7	1.7	
Fluid Dynamic Efficiency	FDE <sub>Hood</sub>	9.7	9.7	9.1	
Energy Efficiency Index	EEL <sub>Hood</sub>	88.1	88.1	88.1	
Measured airflow at Best Efficiency Point	Q <sub>BEP</sub>	227.7	227.7	219.2	m <sup>3</sup> /h
Measured Pressure at Best Efficiency Point	P <sub>BEP</sub>	141.0	141.0	137.0	Pa
Maximum airflow	Q <sub>MAX</sub>	390.8	390.8	377.2	m <sup>3</sup> /h
Measured electric power at Best Efficiency Point	W <sub>BEP</sub>	92.2	92.2	91.61	W
Nominal lighting power	WL	4	4	4	W
Average illumination of the lighting system on the cooking surface	E <sub>Middle</sub>	475	475	475	Lux
Measured power consumption in standby	P <sub>S</sub>	N/A	N/A	N/A	W
Measured power consumption off mode	P <sub>O</sub>	0.0	0.0	0.0	W
Sound power level	L <sub>WA</sub>	60.0	60.0	60.0	dBA
Grease Filter Efficiency	GFE <sub>Hood</sub>	71.4 (D)	71.4 (D)	76.7 (C)	%
Lamp efficiency	LE <sub>Hood</sub>	118 (A)	118 (A)	118 (A)	%

E & O E. All instructions, dimensions and illustrations are provided for guidance only. CDA reserve the right to change specifications without prior notice.

**The CDA Group Building**

Harby Road  
Langar  
Nottinghamshire  
NG13 9HY

**Sales Department**

**Phone:** 01949 862010

**CDA Customer Care**

**Phone:** 01949 862012

**Email:** [customer.care@cda.eu](mailto:customer.care@cda.eu)

