

HG7251,
HG7351 &
HG9351
Gas Hobs

Installation, Use and Maintenance

Important

Make sure that this instruction booklet is read thoroughly and understood before attempting to install or operate this hob. The instructions are provided in the interest of your safety.

The manufacturer cannot be held responsible for injuries or losses caused by incorrect use or installation of this product. Please note we reserve the right to invalidate the guarantee supplied with this product following incorrect installation or misuse of the appliance.

- It is a legal requirement that all gas appliances are installed by qualified personnel only in accordance with current legislation. It is your responsibility to ensure compliance with the law.
- Repairs or servicing of this product must only be carried out by an authorised service agent using approved parts.
- No attempt must be made to modify this appliance under any circumstances.
- Cooking appliances can become very hot in use - Please keep children and pets away from them.
- Do not allow children to operate or play with any part of the appliance.
- Do not use unstable pans and ensure that the handle is positioned away from the edge of the worktop.
- In the interest of safety and hygiene, ensure the hob is kept clean.
- This appliance is designed for domestic use only. Commercial use will invalidate the warranty.
- Do not cover the hob or place combustible materials on or near the surface even when the hob is not in use.
- Do not fill deep fat frying containers more than one third full and NEVER leave unattended.

- Before cleaning the hob, switch off at the mains.
- When cooking is finished, switch off controls and allow to cool.
- These appliances are not intended for use by persons with reduced physical, sensory or mental capabilities or lack of experience and knowledge, unless they have been given supervision or instruction concerning use of the appliance by a person responsible for their safety.
- If the power cable is damaged it must be replaced by an authorised service agent or qualified person only.
- Do not immerse the appliance or power cable in water or any liquid.
- The gas regulator must comply with EN1 6129 or EN 12864 and local code. Make sure of the outlet pressure before connecting the gas regulator to the product.
- The flexible hose must comply with the approval standard and the local code

Appliance information:

Please enter the details on the appliance rating plate below for reference, to assist CDA Customer Care in the event of a fault with your appliance and to register your appliance for guarantee purposes.

Appliance Model	
-----------------	--

Serial Number	
---------------	--


EU Declarations of Conformity:

This appliance has been manufactured to the strictest standards and complies with all applicable legislation, including Gas safety, Electrical safety (LVD) and Electromagnetic interference compatibility (EMC).

Parts intended to come into contact with food conform to 1935/2004/EC.

IMPORTANT INFORMATION FOR CORRECT DISPOSAL OF THE PRODUCT IN ACCORDANCE WITH EU DIRECTIVE 2012/19/EC.

At the end of its working life, the product must be taken to a special local authority waste collection centre or to a dealer providing appliance recycling services.

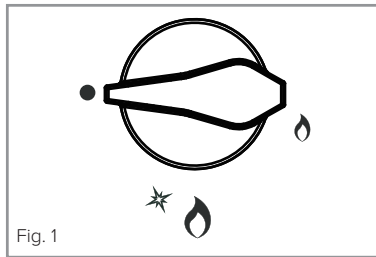
Disposing of a household appliance separately avoids possible negative consequences for the environment and health. It also enables the constituent materials to be recovered, saving both energy and resources. As a reminder of the need to dispose of household appliances separately, the product is marked with a crossed-out wheeled dustbin. 

Please note:

- Gas hobs become hot and remain hot during and immediately after use. Do not touch the pan stands, burners or hob spill tray until the appliance has been allowed to cool.
- Keep children away from the appliance when in use.
- After use, please ensure that the gas taps are in the ‘Off’ position.
- Ensure that the appliance is correctly adjusted for the type of gas available before installation.
- The use of a gas appliance produces heat and humidity in the room in which it is installed. Ensure that the room is well ventilated, either by the use of natural ventilation outlets (e.g. windows) or a ducted extractor.



- This hob (Class 3) has been designed for use only as a cooking appliance. Any other use (e.g. heating rooms) should be considered incorrect and potentially dangerous.
- These instructions are valid only for the countries of destination, the symbols of which appear the appliance.

Using Your Hob



Gas burners:

Gas flow to the burners is controlled by the control knobs (5, 6, 7 and 8 on the diagrams on pages 6 & 7). There are 3 positions shown on the control panel. Turning the control knob to the positions shown below achieves the following:

- Closed (OFF position)
- 
 - Maximum position: Provides fast boiling function
- 
 Minimum position: Provides simmer function

The burners can be set to the desired position by turning the control knobs through the adjustment range in an anti-clockwise direction.

HG7251 & HG7351

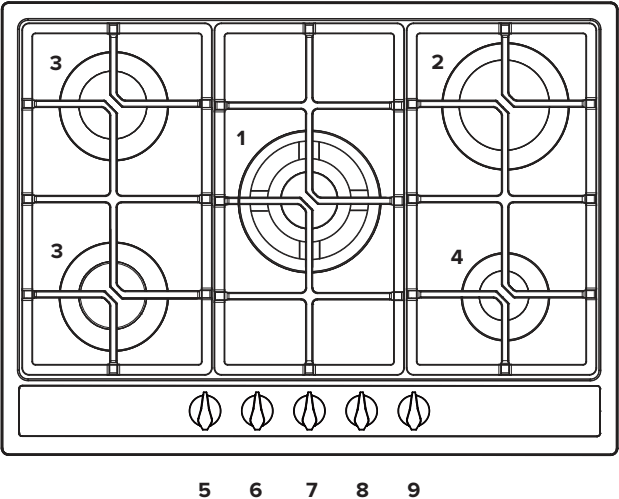


Fig. 2

HG9351

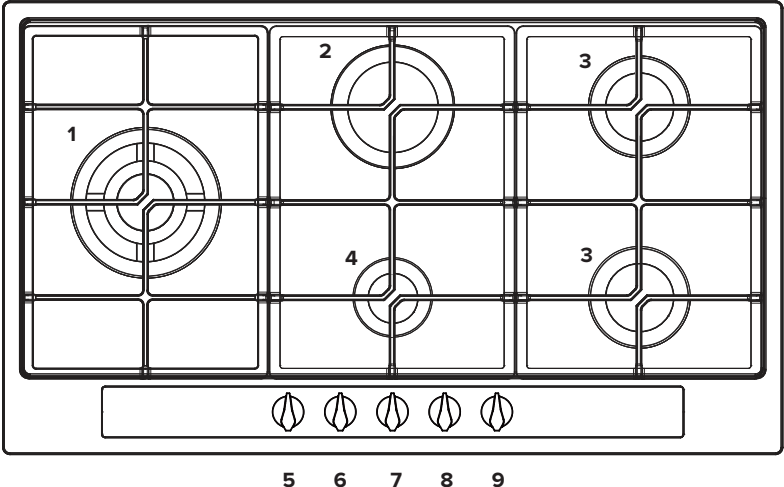


Fig. 3

Key to Fig 2

Gas burners:

- | | |
|----------------------|--------|
| 1. Triple burner | 3.8kW |
| 2. Rapid burner | 3.0kW |
| 3. Semi-Rapid burner | 1.75kW |
| 4. Auxiliary burner | 1.0kW |

Control panel:

5. Front left burner control knob
6. Back left burner control knob
7. Centre burner control knob
8. Back right burner control knob
9. Front right burner control knob

Key to Fig 3

Gas burners:

- | | |
|----------------------|--------|
| 1. Triple burner | 3.8kW |
| 2. Rapid burner | 3.0kW |
| 3. Semi-Rapid burner | 1.75kW |
| 4. Auxiliary burner | 1.0kW |

Control panel:

5. Centre left burner control knob
6. Back centre burner control knob
7. Front Centre burner control knob
8. Back right burner control knob
9. Front right burner control knob

These appliances are class 3

Igniting the Burners

The hob is fitted with a flame failure device. Flame failure devices operate by shutting off the supply of gas to the burner in the event that the flame is extinguished accidentally.

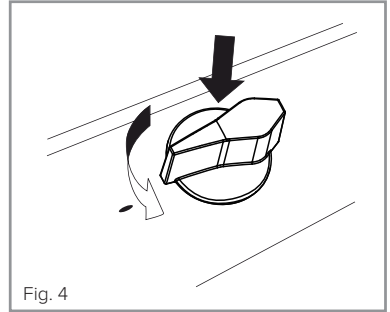


Fig. 4

To ignite the burners, follow these instructions:

1. Lightly press the control knob down and turn the knob anti-clockwise to the maximum position. Firmly press and hold down the control knob to begin the ignition process (a clicking sound will be heard). Hold down the control knob for a few seconds after ignition to allow the safety device to detect that the burner is lit.
2. Once the burner is lit, adjust the burner power to the required position.

Please note:

- The ignition device should not be operated for more than 15 seconds.
- If a burner does not ignite, or turns off accidentally, turn the control knob to the 'off' position, and wait for one minute before attempting to reignite the burner.
- If the burner does not ignite, repeat the ignition process with the burner at the minimum position.

Efficient Use of Your Hob

The hob is equipped with burners of different sizes, designed to accommodate most shapes and sizes of pan. For best results, only use pans with flat bottoms and choose an appropriate burner depending on the size of the pan. The most efficient use of the hob is shown below, where the pan and burner are correctly chosen.

Ensure that the pans do not overlap the edge of the pan stand, or cover the control panel.

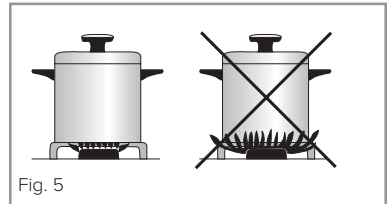


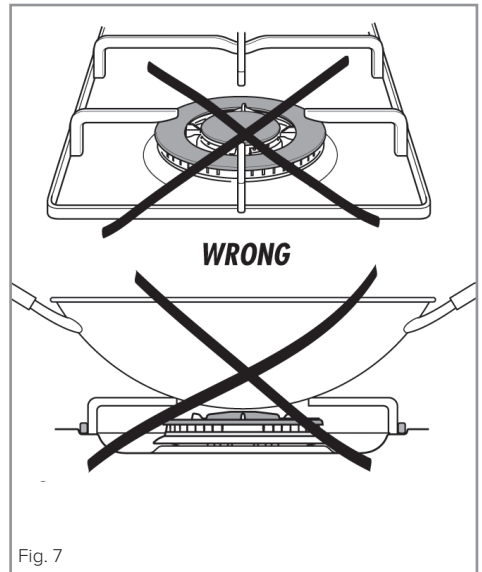
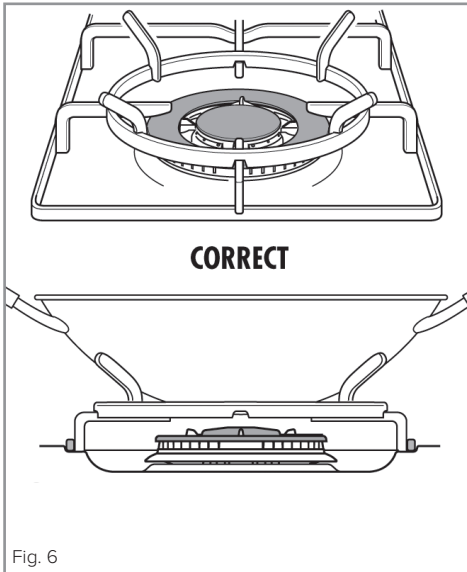
Fig. 5

The table below shows the sizes of pan that should be used with each burner:

Burner Size	Minimum Pan Diameter (cm)	Maximum Pan Diameter (cm)
Auxiliary	10	14
Semi-Rapid	16	18
Rapid	20	22
Triple	24	26
Wok	-	36

Correct Use of the Wok Pan Adaptor

The wok pan adaptor is a special stand that is designed to be fitted over the triple ring burner to give support to round bottomed woks. When using a wok, always place the wok pan adaptor in position over the pan support on the triple ring burner as shown in Fig.6.



IMPORTANT:

- The wok pan adaptor (Fig. 6) must be placed over the pan support on the triple ring burner.
- Do not use the wok pan adaptor for standard flat bottomed pans.

Care and Maintenance

As the hob has a stainless steel or enamel surface, you should use a nonabrasive cleaner. Any abrasive cleaner (including Cif) will scratch the surface and could erase the control panel markings. Stainless steel can be effectively cleaned by simply using a dilute solution of water and mild detergent and drying to a shine with a clean cloth.

Over time with use, the stainless steel surface may discolour; this is normal and does not constitute a fault with this appliance. Proprietary stainless steel cleaners are available.

IMPORTANT:

- Steam cleaners must not be used when cleaning this appliance.
- Ensure that all parts are correctly replaced after cleaning, before attempting to use the hob.
- After removing the pan stands, ensure the rubber pads are in place on the base of the pan stands before repositioning the pan stands straight and level on the hob.

What to do if you smell gas:

1. Open doors and windows
2. Turn the gas supply off
3. Call TRANSCO on : 0800 111 999

Burner Size	Nominal Rating (kW)	Simmer Rating (kW)	LPG Flow Rate (lh ⁻¹)	
			G30	G31
Auxiliary	1.0	0.6	72.8	71.5
Semi-Rapid	1.75	0.8	134.6	132.2
Rapid	3.0	1.2	218.8	214.8
Triple / Wok	3.8	2.6	277	272

Total rated gas input : 11.3kW

Mains electrical voltage: 230 – 240Vac, 50Hz

Total rated electrical consumption: 2W

If Your Hob is Not Working

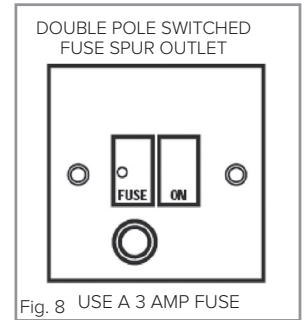
1. Check that the mains supply has not been switched off.
2. Check that the fuse in the spur has not blown.
3. Ensure that the burner components are not excessively soiled as this can lead to ignition problems.

Mains Electricity Connection

THIS APPLIANCE MUST BE CONNECTED TO THE MAINS SUPPLY BY A COMPETENT PERSON, USING FIXED WIRING VIA A DOUBLE POLE SWITCHED FUSE SPUR OUTLET AND PROTECTED BY A 3A FUSE.

We recommend that the appliance is connected by a qualified electrician, who is a member of the N.I.C.E.I.C. and who will comply with the I.E.T. and local regulations.

The wires in the mains lead of this appliance are coloured in accordance with the following code:



Green & Yellow = Earth, Blue = Neutral, Brown = Live.

As the colours of the wires in the mains lead for the appliance may not correspond with the coloured markings identifying the terminals connecting to the fuse spur, proceed as follows:

- The wire which is coloured green and yellow must be connected to the terminal marked E (Earth) or coloured green.
- The wire which is coloured blue must be connected to the terminal marked N (Neutral) or coloured black.
- The wire which is coloured brown must be connected to the terminal marked L (Live), or coloured red.

Note: Use a 3A Fuse

Assembly and electrical connection should be carried out by specialised personnel.

When installing this product we recommend you seek the help of another individual.

Gas Supply Requirements

IMPORTANT: THIS APPLIANCE SHOULD BE FITTED BY A GAS SAFE REGISTERED FITTER OR OTHER SUITABLY QUALIFIED PERSON.

- This installation must comply with the Gas Safety (installation and use) Regulations 1984.
- This appliance is category II2H3+ and is designed for use in the UK and Ireland. The installation must comply with the Gas Safety (installation and use) Regulations 1984.
- The CDA Group Ltd is not legally able to provide any assistance in the installation of gas appliances except to Gas Safe registered installers. Any Gas Safe registered fitter requiring help must provide their name, address and registration number. Information supplied will be validated before help is provided.
- In the event that this appliance is not installed in accordance with the above requirements, the appliance may be disconnected from the mains gas supply until any faults are rectified; this is a legal requirement.
- This appliance should be installed using 15mm copper pipe connected via an isolation valve in an adjacent unit. The isolation valve needs to be accessible in an emergency or for service purposes.
- This appliance must not be connected to a combustion gas recovery scavenging system
- The connection to the gas supply must comply with all current regulations in force.
- We are not legally able to offer advice on the installation of gas appliances to non Gas Safe registered personnel.

Ventilation

All rooms require a window or equivalent (e.g. a door) which can be opened. Some rooms require a permanent vent in addition to a window (see below).

This unit must not be used in a room which is less than 5m³. The following table details the requirements based on the kitchen volume (L x W x H) in m³.

Room Volume (m ³)	Air Vent Required (cm ²)
5	100
6 to 10	50
6 to 11	No permanent vent required if a door opens to the outside
11 or more	None required

The above requirements also allow use of a gas oven and grill but if there are any other fuel burning appliances in the same room, consult the relevant British Standard (BS5440) or GAS SAFE document.

Natural Gas to LPG Conversion

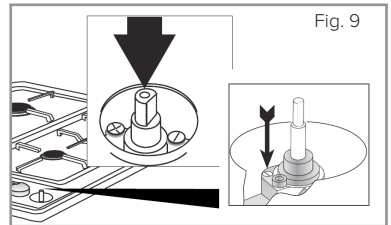
This hob can be converted from natural gas to propane operation at a nominal inlet pressure of 37mbar, or butane operation at a nominal inlet pressure of 28/30mbar. This conversion must only be carried out by a competent person (i.e. a Gas Safe registered fitter).

Required:

- 7mm AF nut spinner
- Replacement injectors
- LPG identity plate

Instructions to fit replacement injectors:

1. Disconnect the appliance from the gas and electrical supplies.
2. Remove burner components and pan supports.
3. Remove the injectors and replace with the corresponding injector as shown in the table on page 17.



Setting up minimum flow rates:

1. Remove the control knobs.
2. Turn on the LP gas supply, light the burners and turn the controls to the minimum position, as indicated by the small flame.
3. Insert a 2.5mm screwdriver into the hole at the top of the tap and turn the adjustment screw fully clockwise as shown in Fig.9.
4. Turn the controls to maximum position then quickly to the minimum position - make sure the flame does not extinguish.
5. Replace the knobs.

LPG to Natural Gas Conversion

This hob can be converted from propane operation at a nominal inlet pressure of 37mbar or butane operation at a nominal inlet pressure of 28/30mbar to natural gas at 20mbar. This conversion must only be carried out by a competent person (i.e. a Gas Safe registered fitter).

- Required:**
- 7mm AF nut spinner
 - Replacement injectors
 - NG identity plate

Burner Size	LPG Injector	Natural Gas Injector
Auxiliary	49	72
Semi-Rapid	67	97
Rapid	86	118
Triple / Wok	100	135

Fitting the Hob

Unpacking the hob:

Take care not to lose or mishandle any parts.

Fitting position of the hob:

This appliance must be installed in accordance with the dimensions in Fig. 11 on page 21 of this manual and a minimum of 150mm away from any adjacent vertical surfaces, e.g. a tall cupboard end panel. This may be reduced to 100mm if the adjacent surface is resistant to fire (tiles or steel, for example). These dimensions are shown in Fig. 11.

If fitting a cooker hood above the hob:

If a cooker hood is to be installed above the hob, the height of the hood above the hob must be at least 700mm (750mm is recommended) (Fig. 12). If the instructions supplied with the hood dictate that the hood must be installed at a height greater than 700mm, then that height is the minimum required.

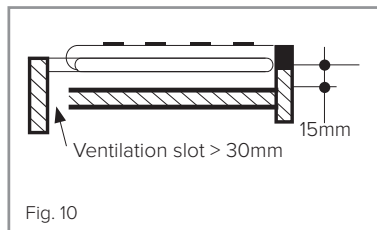
Wall furniture requirements:

The minimum height of any cabinet immediately above the hob is 760mm. The minimum height of any adjacent units (including light pelmets) is 400mm, unless they are manufactured from a material resistant to fire (steel, for example)

Notes:

- Do not position this appliance above a refrigeration unit. The heat generated may cause the refrigeration unit to fail.

- This appliance is designed to be installed into cabinet units capable of withstanding temperatures 65°C above ambient or greater (typically 80-90°C).
- **The rear wall or splashback the hob is to be fitted in front of must be made of a flame resistant material.**
- If there is no oven to be built in below the hob it is recommended that, an isolation shelf should be fitted to protect the user from high temperatures. If the hob is to be installed above a working drawer, then a partition should be fitted to protect the contents and user from the heat generated during use. This should be fitted at least 15mm below the hob. This panel should have a ventilation space at the rear of greater than 30mm as shown in Fig. 10.
- Never place perishable foods in the cupboard below the appliance.



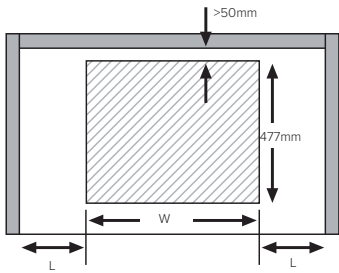
How to Install the Hob

Installation Dimensions (mm)	HG7251 & HG7351	HG9351
Overall width	680	860
Overall depth	500	500
Worktop cutout width	557	832
Worktop cutout depth	477	477

1. Make the required hole in the worktop. Note that before doing this, check the instructions supplied with any cooker hood to ensure that you will have the required clearance. The cut-out (Fig. 11) shows a minimum 50mm gap from the rear wall or splashback, if fitted, to the cut-out edge.
2. Position the hob seal, as shown in the diagram below (Fig. 13), ensuring that the ends meet without overlapping. Do not use silicone type sealant.

NOTE: The seal is supplied already fitted to the hob on some models, for your convenience.

3. Secure the hob to the worktop using the fixing brackets and screws supplied, as shown in the following diagram (Fig. 14). Remove any excess seal after tightening the brackets.



	HG7251 & HG7351	HG9351
Cutout width (W)	557mm	832mm
Landing (L)	210mm	165mm

Fig. 11

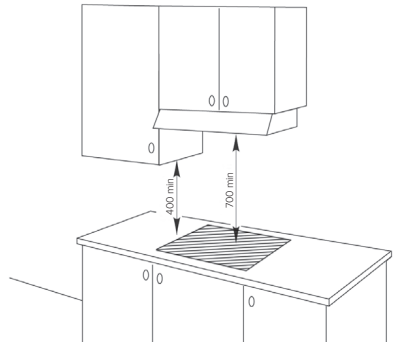


Fig. 12

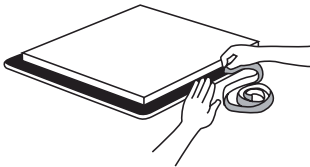


Fig. 13

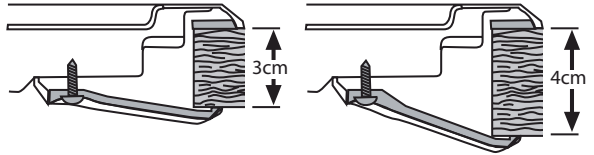


Fig. 14

Energy Efficiency Information

A) Measurement and calculation methods

- The gas hob was CE approval according to the Gas Appliance Directives 2009/142/EC.
- The energy efficiency of this gas hob was tested and measured according to EN 30-2-1-1998+A1-2003+A2-2005.
- The semi-rapid burner and rapid burner were tested separately; the auxiliary burner is not required for test because its nominal heat input is less than 1.16kW.
- The energy efficiency of the gas burners and the hob were calculated according to COMMISSION REGULATION (EU) No. 66/2014.

B) Rational use of the energy and the appliance

- The gas hob is designed for domestic use only, please do not use for commercial.
- The gas hob is designed for use with gas (LPG and Natural gas), the combustion products contain carbon monoxide and carbon dioxide, the exhaust of combustion products is affecting our environment when reaching a certain level of CO and CO₂.
- To ensure the rational use of energy, please install the gas hob according to the specifications in clause 5, and please make sure you are using the correct diameter of pan for each burner.
- To ensure safe use, please read this instruction manual before use; please follow the installation, operation and maintenance guideline.

- To ensure the optimal life expectancy of the gas hob, please follow the operation and maintenance guideline strictly; please do not modify the appliance.
- Please contact your local after-sale service for repairing and exchanging of the components (such as gas valve, control knob) if necessary.
- The material of the gas hob is metal, please dispose of the gas hob in recycling when the gas hob comes to the end-of-life.
- The packaging materials of this appliance are recyclable, please make good use of waste materials.

Energy Efficiency Information				
Attribute	Symbol	Value		Units
Model identification		HG7251 & HG7351	HG9351	
Type of hob		Built in	Built in	
Number of gas burners		5	5	
Energy efficiency per gas burner	EE _{Gas burner}	Aux: NA SR: 56.5 SR: 56.5 R: 56.0 Tr: 55.0	Aux: NA SR: 56.5 SR: 56.5 R: 56.0 Tr: 55.0	%
Energy efficiency for the gas hob	EE _{Gas hob}	56.0	56.0	%

PIN Number		
HG7251	HG7351	HG9351
2531CT-0054	2531CT-0054	2531CT-0054



Country of destination:GB/IE

E & O E. All instructions, dimensions and illustrations are provided for guidance only. CDA reserve the right to change specifications without prior notice.



Please contact our **Customer Care Department** for Service on the details below

Customer Care Department

The ICDAI Group Ltd. • Harby Road • Langar • Nottinghamshire • NG13 9HY

T : 01949 862 012 F : 01949 862 003 E : customer.care@cda.eu

