



EVPK90

Island Extractor

Installation, use and maintenance



Contents:

- 3 Important information
- 4 Important safety warnings
- 5 Using your extractor
- 6 Intensive function
- 6 Clean air function
- 7 Care and maintenance
- 8 Changing the charcoal filter
- 9 Changing a light bulb
- 10 Mains electricity connection
- 11 Electrical information
- 11 Troubleshooting
- 12 Installation - preparation
- 13 Ducting
- 14 Installation
- 15 Installation - assembly
- 16 Installation - mounting
- 18 If re-circulating
- 19 Energy efficiency information

Important

The manufacturer cannot be held responsible for injuries or losses caused by incorrect use or installation of this product. Please note that the manufacturer reserves the right to invalidate the guarantee supplied with this product following incorrect installation or misuse of the appliance or use in a commercial environment.

This appliance is not designed to be used by people (including children) with reduced physical, sensorial or mental capacity, or who lack experience or knowledge about it, unless they have had supervision or instructions on how to use the appliance by someone who is responsible for their safety.

Under no circumstances should any external covers be removed for servicing or maintenance except by suitably qualified personnel.

Appliance information:

Please enter the details on the appliance rating plate below for reference, to assist CDA Customer Care in the event of a fault with your appliance and to register your appliance for guarantee purposes.

Appliance Model	
-----------------	--

Serial Number	
---------------	--

Declarations of Conformity:

This appliance has been manufactured to comply with all EU & UK statutory requirements and complies with all applicable legislation and following European directives:

- The Low Voltage Directive 2014/35/EU
- Electromagnetic Compatibility Directive 2014/30/EU



The product has been marked with the UKCA and CE symbols.

This appliance is marked according to the European directive 2004/104/EC on Waste Electrical and Electronic equipment (WEEE).

IMPORTANT INFORMATION FOR CORRECT DISPOSAL OF THE PRODUCT IN ACCORDANCE WITH EC DIRECTIVE 2012/19/EU.

At the end of its working life, the product must be taken to a special local authority waste collection centre or to a dealer providing appliance recycling services. Disposing of a household appliance separately avoids possible negative consequences for the environment and health. It also enables the constituent materials to be recovered, saving both energy and resources. As a reminder of the need to dispose of household appliances separately, the product is marked with a crossed-out wheeled dustbin.



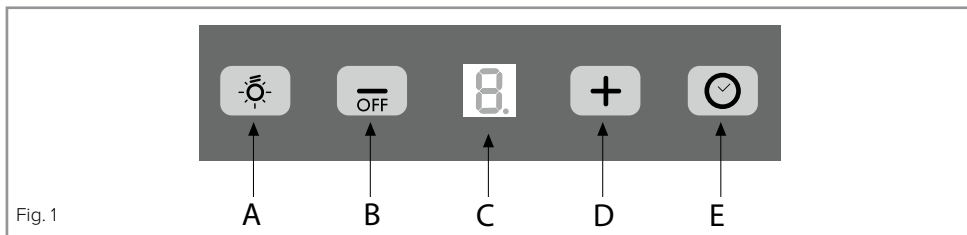
Please note:

- Under no circumstances should the extractor be connected to any gas ventilation system, flue system or hot air ducting system.
- Do not vent the extractor into an attic or loft space.
- Only house the extractor in rooms with adequate ventilation. Remember that the extractor is powerful and whatever air is extracted needs to be replaced.
- Do not tile the extractor in. It should be removable for service or maintenance.

- Do not use silicone sealant to secure the hood to the wall.
- You must be able to isolate the extractor from the mains electrical supply after installation.
- Steam cleaners must not be used when cleaning this appliance.
- The performance of your extractor will vary depending on a number of factors. These include: type of extraction, length of ducting, room volume, ventilation available and cleanliness of the filters.

Using your extractor

For best performance, you should switch on the extractor 15 minutes before starting to cook and leave it to run for approximately 15 minutes after the end of cooking.



Control Panel

- A - Light key
- B - Decrease speed key
- C - Display
- D - Increase speed key
- E - Timer key

To switch the extractor light on and off

- Touch key “A”.

To switch on the extractor

- Touch either key “B” or “D”. The appliance will switch on at the first speed.
- To increase the speed touch key “D”.
- To switch the extractor off, touch and hold key “B” for two seconds when the extractor is working at higher speeds, or touch key “B” at speed one.

The intensive function

- The extractor is equipped with an intensive function which runs for ten minutes before returning to the previous selected speed. To activate the intensive function, touch key “D” at speed three. The display will blink whilst the intensive function is on.

The timer

- The extractor is equipped with a timer that allows the extractor to run for 15 minutes before switching off automatically.
- To activate the timer, touch key “E”. The display will flash a decimal point when the timer is on. Please note: The timer cannot be activated when the intensive function is on.

The clean air function

- The extractor is equipped with a clean air function that switches on the motor for ten minutes every hour at speed one.
- To activate the clean air function, touch key “E” for two seconds when the appliance is off. To return to normal function, touch either key “B” or “D”. To switch off the clean air function, touch key “E”. The display “C” will light up in sections whilst the motor is running, and will show the letter “C” during the fifty minutes when the motor is not running.

Care and maintenance

IMPORTANT: DO NOT PERFORM MAINTENANCE OR CLEANING OF THE EXTRACTOR WITHOUT FIRST SWITCHING OFF THE ELECTRICITY SUPPLY.

Cleaning

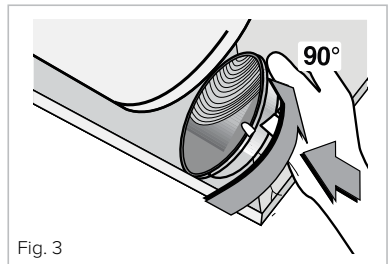
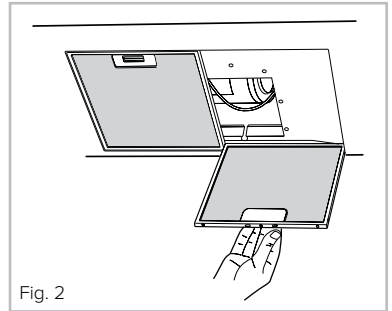
You should use a nonabrasive cleaner. Any abrasive cleaner (including Cif) will scratch the surface and could erase the control panel markings.

You can clean your extractor effectively by simply using a dilute solution of water and mild detergent and drying to a shine with a clean cloth.

Cleaning the grease filter

The grease filters should be kept clean to minimise the risk of fire.

When the display flashes alternating the speed selected with the letter “A”, or at least once a month, you should remove and clean the grease filters with hot soapy water. You can also wash the grease filters in a dishwasher, ensuring that you place them in an upright position to prevent damage from other items in the dishwasher. After rinsing and drying, replace the filters. After the grease filters have been replaced, the electronic memory must be reset by touching key “A” for approximately five seconds, until the letter “A” stops flashing.



To remove the grease filters

1. Pull open the handle on each grease filter as shown in fig. 2. It will release at the handle side.
2. Lower the grease filter to remove it completely.

To replace the grease filters

Repeat the steps above in reverse order.

Please note: Cleaning the grease filters in a dishwasher may lead to discolouration. This is normal and does not constitute a fault with the appliance.

Changing the charcoal filter (re-circulating only)

When the display flashes alternating the speed selected with the letter “F”, the charcoal filters must be replaced. After the charcoal filter has been replaced, the electronic memory must be reset by touching key “A” for approximately five seconds, until the letter “F” stops flashing.

To attach a new charcoal filter, first remove the grease filters as described above. Then offer up the charcoal filter to the side of the motor as shown in fig. 3 and turn it clockwise until it locks into place. Repeat with the other charcoal filter on the other side of the motor. Then replace the grease filters.

Changing the light

IMPORTANT: THE LIGHT BULBS SHOULD ONLY BE CHANGED BY CDA AUTHORISED SERVICE AGENTS. IF ONE OR MORE OF YOUR BULBS FAIL, CONTACT CDA CUSTOMER CARE TO ARRANGE A SERVICE VISIT.

DO NOT TOUCH THE LIGHT BULBS IMMEDIATELY AFTER USE AS THE BULB MAY BE WARM/HOT.

Do not touch bulbs or adjacent areas during or straight after prolonged use of the lights.

The light is designed for use during cooking and not for general room illumination. Extended use of the light can reduce the life span of the bulb.

Mains electricity connection

THIS APPLIANCE MUST BE CONNECTED TO THE MAINS SUPPLY BY A COMPETENT PERSON, USING FIXED WIRING VIA A DOUBLE POLE SWITCHED FUSED SPUR OUTLET AND PROTECTED BY A 3A FUSE.

The appliance must be connected by a qualified electrician, who is a member of the N.I.C.E.I.C. and who will comply with the I.E.T. and local regulations.

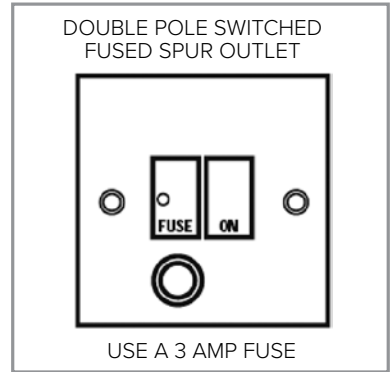
The wires in the mains lead of this appliance are coloured in accordance with the following code:

BLUE = NEUTRAL, BROWN = LIVE.

As the colours of the wires in the mains lead for the appliance may not correspond with the coloured markings identifying the terminals connecting to the fused spur, proceed as follows:

- The wire which is coloured blue must be connected to the terminal marked N (Neutral), or coloured black.
- The wire which is coloured brown must be connected to the terminal marked L (Live), or coloured red.

NOTE: USE A 3A FUSE



Assembly and electrical connection should be carried out by competent personnel. When installing this product we recommend you seek the help of another individual.

IMPORTANT: THIS APPLIANCE IS A CLASS II APPLIANCE (DOUBLE INSULATED) AND IS NOT INTENDED TO BE EARTHED. DO NOT FIT AN EARTH LEAD TO THIS EXTRACTOR.

Do not mount the isolation switch behind the chimney section. It is a requirement that you must be able to isolate the extractor from the mains electrical supply after installation.

This appliance is intended to be connected to the mains electrical supply by means of an isolation switch and fused spur and is intended to be protected by a 3A fuse. The use of a 13A fuse can cause damage to the internal wiring in the event of a fault, and may also invalidate the warranty.

Electrical information

Mains electrical voltage: 230 – 240Vac, 50Hz

Total rated power consumption: 254W

Troubleshooting

If your extractor is not working:

1. Check that the mains supply has not been switched off.
2. Check that the fuse in the spur has not blown.
3. If 'A' or 'F' are showing on the display, please see pages 6 and 7.

Installation - preparation

The extractor is intended to be mounted directly to a solid ceiling using fixings appropriate for the ceiling.

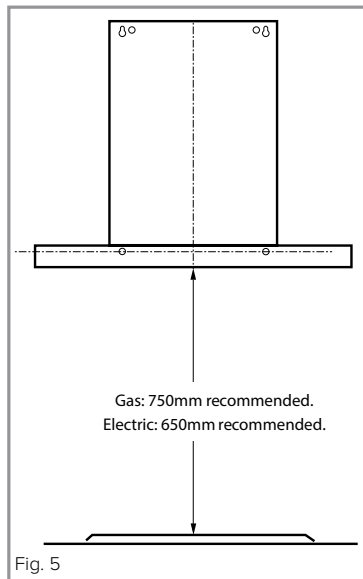
When the extractor is to be installed above an electric hob, the minimum distance between the hob and extractor must exceed 600mm (650mm is recommended).

When the extractor is to be installed above a gas hob, the minimum distance between the hob and extractor must exceed 700mm (750mm is recommended).

If the instructions provided with your gas hob state that the required distance between the hob and extractor must be greater than 700mm, then that is the distance that should be observed; this is a legal requirement and may lead to your hob being disconnected from the gas supply and the installation being reported under RIDDOR (The height should be measured from the top of the burners).

IN THE ABSENCE OF ANY INSTRUCTIONS SUPPLIED WITH THE GAS HOB, THE MINIMUM DISTANCE BETWEEN THE HOB AND EXTRACTOR MUST BE AT LEAST 760mm.

The width of any hob must not be greater than the width of the extractor installed above it.



Ducting

The ducting used should be 150mm, rigid circular pipe and must be manufactured from fire retardant material, produced to BS 476 or DIN 4102-B1.

Wherever possible utilise rigid circular pipe which has a smooth interior, rather than the expanding concertina type ducting. The lengths of ducting with minimal effect on performance are as follows:

- 4 metres with 1 x 90° bend.
- 3 metres with 2 x 90° bends.
- 2 metres with 3 x 90° bends.

Longer ducting can be used but the performance of the extractor will likely be reduced.

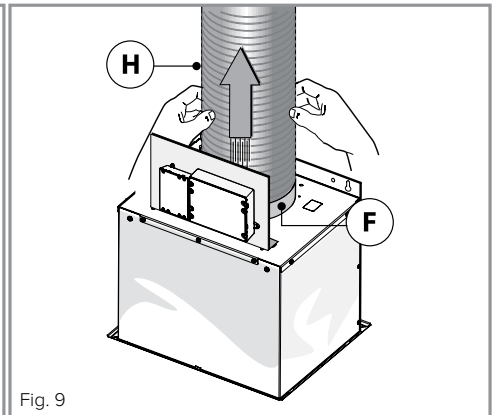
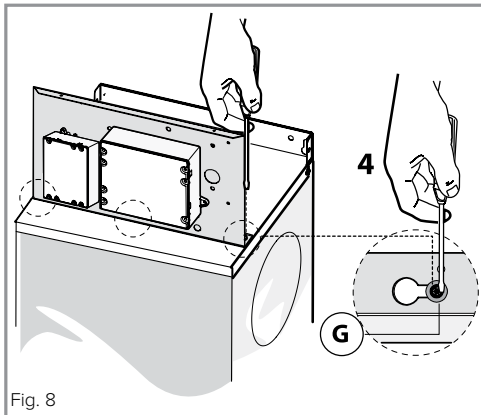
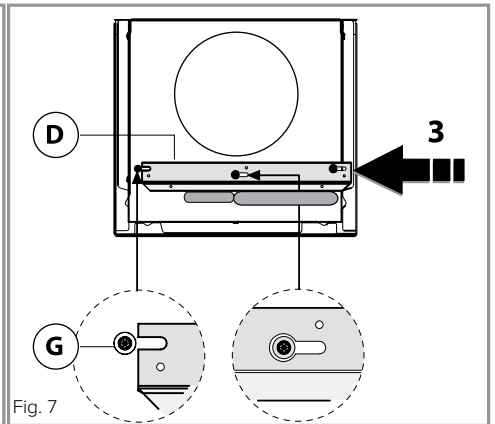
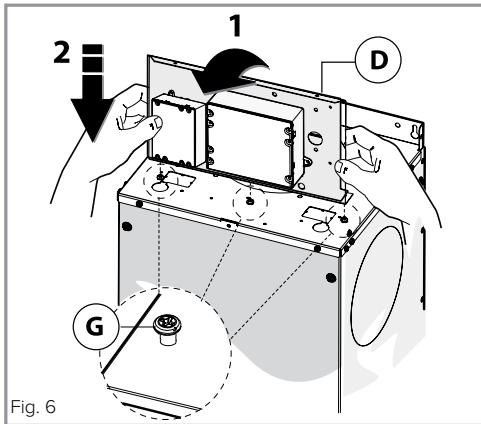
Please note: Ducting components and ducting kits are optional accessories and have to be ordered, they are not automatically supplied with the hood. Use of ducting less than 150mm in diameter will affect performance and increase the noise produced by the extractor.

Note that the ducting should be secured and sealed to the vent outlet pipe / valve using appropriate jubilee clips or securing means.

Installation

We recommend that you seek the help of another individual when installing this product. Always wear adequate PPE (Personal Protective Equipment) for the task at hand. This product may have sharp edges; always protect your hands.

- Connect the electronic control box and ducting pipe to the motor body before proceeding with the installation. To connect the electronic control box, proceed as shown in Fig. 6, 7 and 8 using the screws marked G.
- Attaching the ducting to the ducting adaptor and place on the exhaust outlet, as shown in Fig. 9.



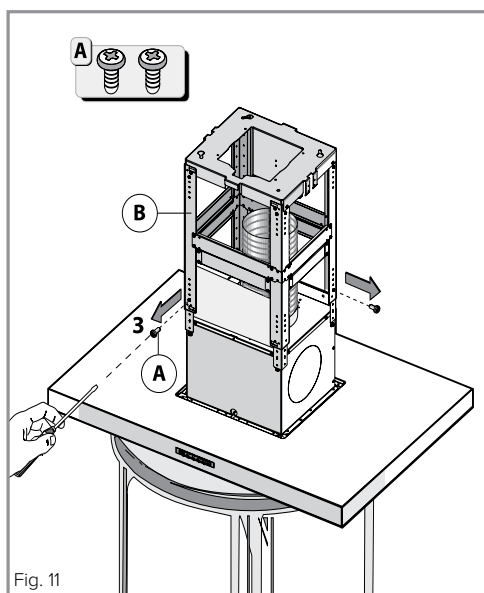
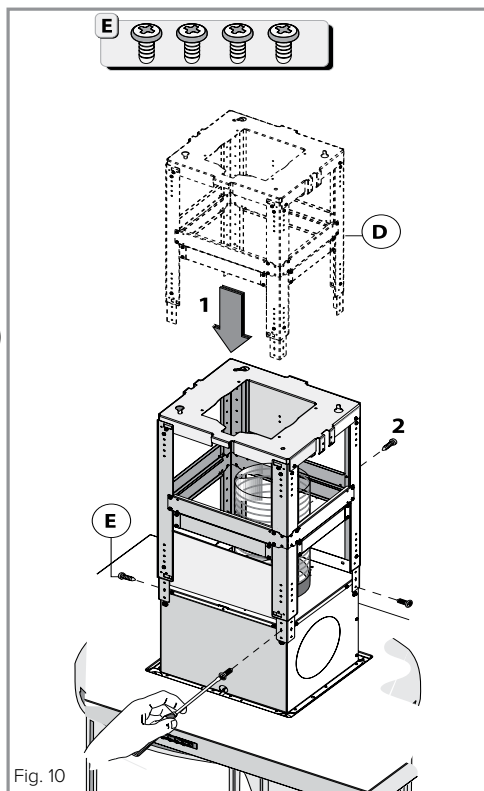
Installation - assembly

1. Place the extractor body on a protected table & fix the cage sections (D in Fig. 10) using the supplied screws (E in Fig. 10).
2. Remove the screws (A in Fig. 11) fastening the lower and upper cage sections (B in Fig. 11).
3. Measure the height of the ceiling from the kitchen floor & then measure the height of the hob burners/zones from the kitchen floor. The final assembly height of the extractor, including the body should be equal to:

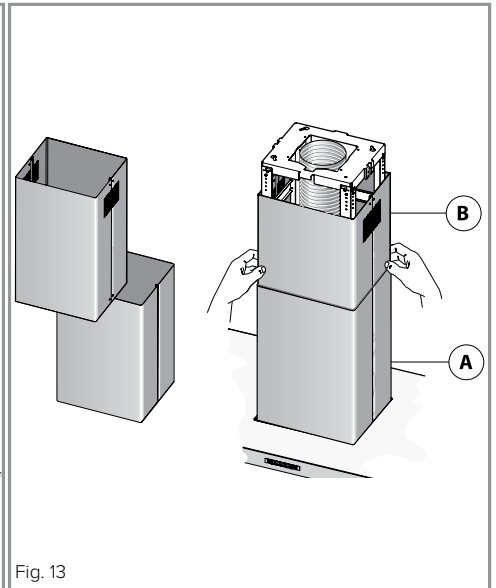
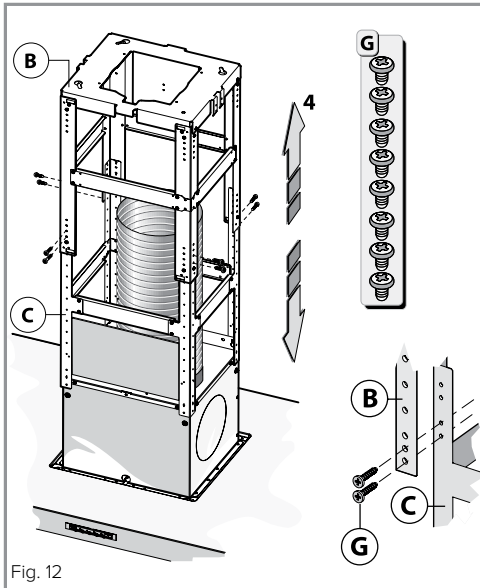
Ceiling height - (H + Hob height from floor)

Where H = 600mm minimum for electric hobs and 700mm minimum for gas hobs.

IMPORTANT: If the exact height cannot be set, use the next highest mounting cage joining hole to prevent any issues with height above the hob.



4. Assemble the upper and lower cage section at the desired height as calculated in step 3. Use the screws highlighted with 'G' in Fig. 12.
5. When the cage sections have been securely fastened together, fit the upper (B in Fig. 13) and lower (A in Fig. 13) chimney sections over the cage sections as shown in Fig. 13.



Installation - mounting

1. Using the supplied template, drill four holes into the ceiling and fit suitable wall plugs into the holes, if required. Note that plugs may not be required if the extractor is to be mounted directly to the ceiling joists. Ensure that the wall plugs used are suitable for the intended purpose and weight of the extractor.
2. Fit three screws into the holes leaving at least 3mm proud, as per Fig. 15. Note that a fourth screw (X in Fig. 15) should not be fitted yet.

3. With the help of another individual, locate the extractor on the three exposed ceiling screws and rotate into position. Tighten the three screws and then secure the whole assembly into position using a final screw in hole 'X' in Fig. 15.

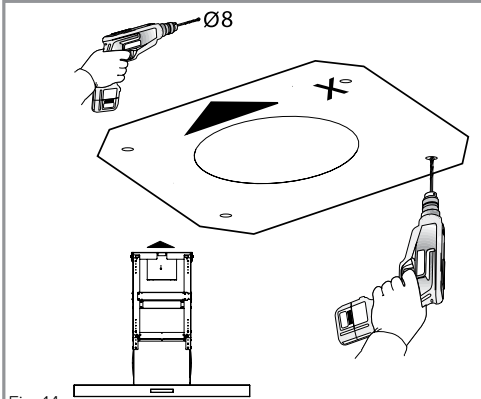


Fig. 14

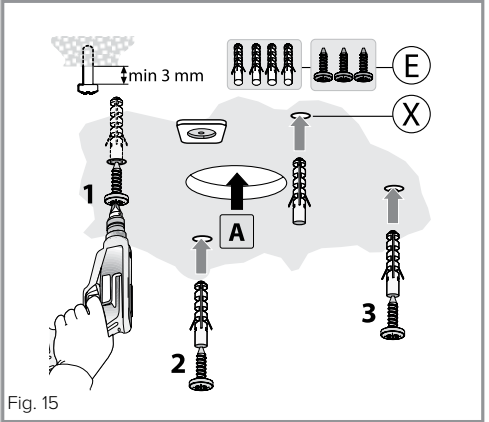


Fig. 15

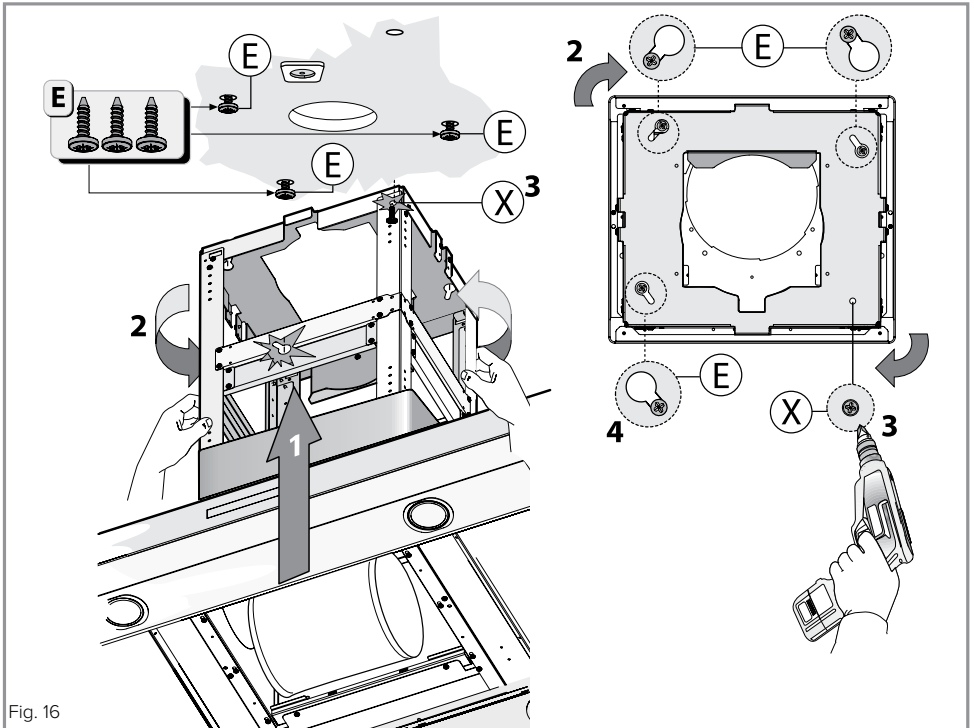
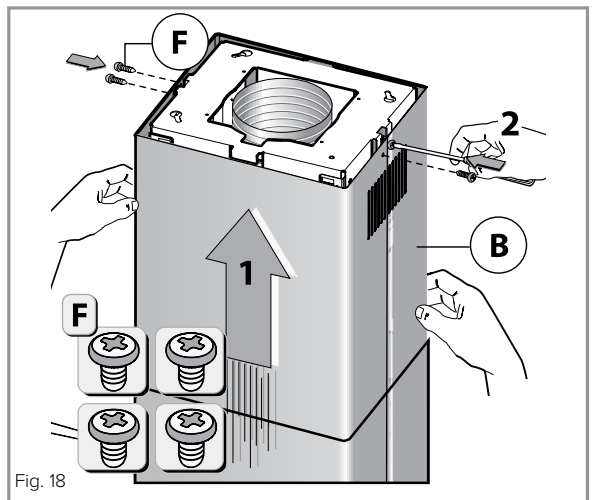
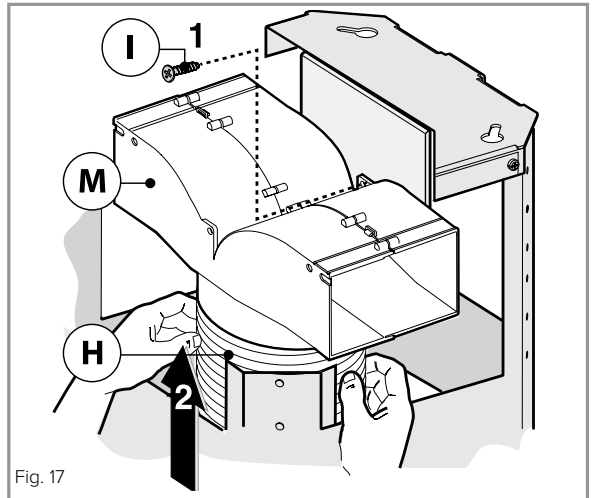


Fig. 16

4. **IF THE EXTRACTOR IS TO BE USED AS A RECIRCULATION DEVICE** (filtering the air before recycling it into the kitchen) then the vent diverter needs to be fitted. Fit the diverter to to the upper cage section (Fig. 17) and then connect the ducting to it.
5. Connect the extractor to the mains electrical supply (if safe to do so). Refer to pages 9 and 10. Secure the chimney sections to the upper cage section using the four supplied screws (F in Fig. 18).



Energy Efficiency Information

Attribute	Symbol	Value	Units
Model Identification		EVPK90	
Annual Energy Consumption	AEC_{Hood}	75.8	kWh
Time increase factor	f	1.4	
Fluid Dynamic Efficiency	FDE_{Hood}	16.1 (D)	
Energy Efficiency Index	EEl_{Hood}	82.9 (C)	
Measured airflow at Best Efficiency Point	Q_{BEP}	347.6	m^3/h
Measured Pressure at Best Efficiency Point	P_{BEP}	243.5	Pa
Maximum airflow	Q_{MAX}	520.0	m^3/h
Measured electric power at Best Efficiency Point	W_{BEP}	132.1	W
Nominal lighting power	WL	4	W
Average illumination of the lighting system on the cooking surface	E_{Middle}	180	Lux
Measured power consumption in standby	P_S	0.49	W
Measured power consumption off mode	P_O	NA	W
Sound power level	L_{WA}	64.0	dBA
Grease Filter Efficiency	GFE_{Hood}	72.0 (D)	%
Lamp efficiency	LE_{Hood}	45 (A)	%

E & O E. All instructions, dimensions and illustrations are provided for guidance only. CDA reserve the right to change specifications without prior notice.



For service or queries relating to your product please contact:

The Customer Care Department on **01949 862 012** or email customer.care@cda.eu

For more information please contact:

The Sales Department on **01949 862 010** or email sales@cda.eu

Customer Care Department. The CDA Group Ltd, Harby Road, Langar, Nottinghamshire, NG13 9HY
T: 01949 862 012 F: 01949 862 003 E: customer.care@cda.eu