



# EVQ71

## Extractor

Installation, use and maintenance



---

## Contents:

3	Important
4	Dimension drawing
5	Important information
6	Using your extractor
7	Care and maintenance
9	Troubleshooting
10 - 13	Installation
10	Installation - height
11	Installation - preparation and ducting
12	Installation - mounting the extractor
14	Mains electrical connection
17	Energy efficiency information

## Important

The CDA Group Ltd cannot be held responsible for injuries or losses caused by incorrect use or installation of this product. Please note that CDA reserve the right to invalidate the guarantee supplied with this product following incorrect installation or misuse of the appliance or use in a commercial environment.

This appliance is not designed to be used by people (including children) with reduced physical, sensorial or mental capacity, or who lack experience or knowledge about it, unless they have had supervision or instructions on how to use the appliance by someone who is responsible for their safety.

Under no circumstances should any external covers be removed for servicing or maintenance except by suitably qualified personnel.

### Appliance information:

Please enter the details on the appliance rating plate below for reference, to assist CDA Customer Care in the event of a fault with your appliance and to register your appliance for guarantee purposes.

Appliance Model	
Serial Number	

### Declarations of Conformity:

This appliance has been manufactured to comply with all EU & UK statutory requirements and complies with all applicable legislation and the following European Directives:

- The Low Voltage Directive 2014/35/EU
- Electromagnetic Compatibility Directive 2014/30/EU

The product has been marked with the UKCA and CE symbols.

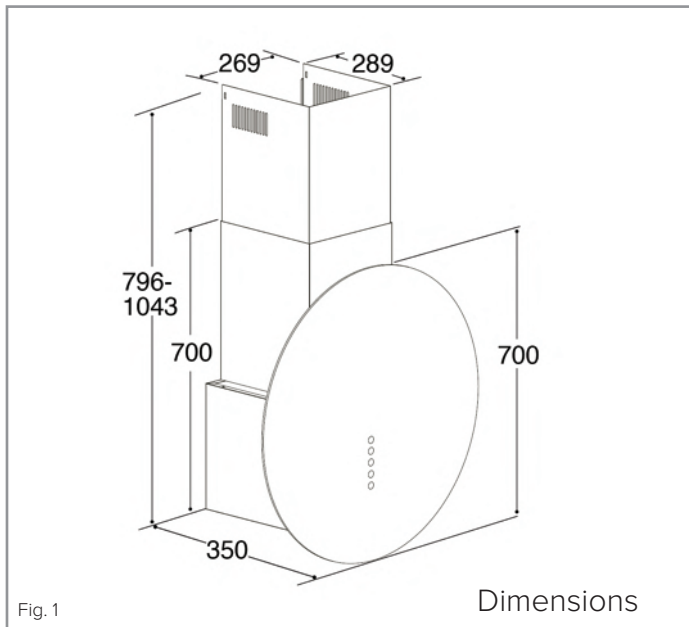


This appliance is marked according to the European directive 2004/104/EC on Waste Electrical and Electronic equipment (WEEE).

**IMPORTANT INFORMATION FOR CORRECT DISPOSAL OF THE PRODUCT IN ACCORDANCE WITH EU DIRECTIVE 2012/19/EU.**

At the end of its working life, the product must be taken to a special local authority waste collection centre or to a dealer providing appliance recycling services.

Disposing of a household appliance separately avoids possible negative consequences for the environment and health. It also enables the constituent materials to be recovered, saving both energy and resources. As a reminder of the need to dispose of household appliances separately, the product is marked with a crossed-out wheeled dustbin.



**Please note:**

- Under no circumstances should the extractor be connected to any gas ventilation system, flue system or hot air ducting system.
- Do not vent the extractor into an attic or loft space.
- Only house the extractor in rooms with adequate ventilation. Remember that the extractor is powerful and whatever air is extracted needs to be replaced.
- Do not tile the extractor in. It should be removable for service or maintenance.
- Do not use silicone sealant to secure the hood to the wall.
- You must be able to isolate the extractor from the mains electrical supply after installation.
- This appliance has been designed to be used in a room with a volume of less than 36m<sup>3</sup>.
- Steam cleaners must not be used when cleaning this appliance.
- The performance of your extractor will vary depending on a number of factors. These include: type of extraction, length of ducting, room volume, ventilation available and cleanliness of the filters.

## Using your extractor

For best performance, you should switch on the extractor 15 minutes before starting to cook and leave it to run for approximately 15 minutes after the end of cooking (you can use the timer function for the latter).

### Control Panel

**A** - Speed 3 key

**B** - Speed 2 key

**C** - Speed 1 key

**D** - Lamp key

**E** - Power key

### To switch the extractor on or change the speed

Touch any of the speed keys (A,B or C).

### To switch the extractor lights on and off

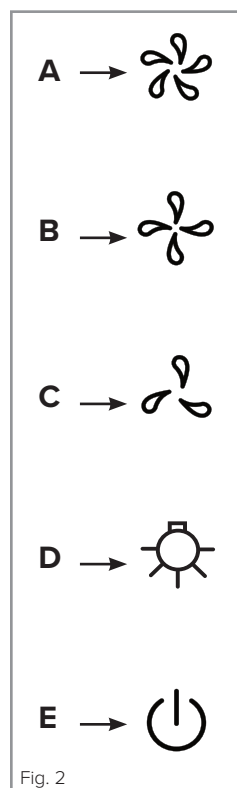
Touch the lamp key (D)

### To switch the extractor off

Touch the power key (E) **twice**.

### To activate the timer function

Touch the power key (E) once whilst the extractor is running on any speed. This will set the extractor to run for approximately 15 minutes before stopping automatically.



## Care and maintenance

**IMPORTANT: DO NOT PERFORM MAINTENANCE OR CLEANING OF THE EXTRACTOR WITHOUT FIRST SWITCHING OFF THE ELECTRICITY SUPPLY.**

### Cleaning

You should use a nonabrasive cleaner. Any abrasive cleaner (including Cif) will scratch the surface and could erase the control panel markings.

You can clean your extractor effectively by simply using a dilute solution of water and mild detergent and drying to a shine with a clean cloth, for example a micro-fibre cloth.

### Cleaning the grease filter

The grease filter should be kept clean to minimise the risk of fire.

At least once a month you should remove and clean the grease filter with hot soapy water. You can also wash the grease filter in a dishwasher, ensuring that you place it in an upright position to prevent damage from other items in the dishwasher.

To remove the grease filter, push in the button on the handle and then pull down on the filter at the front as shown in Fig. 3. When you have released it at the front, then you can pull the filter out completely.

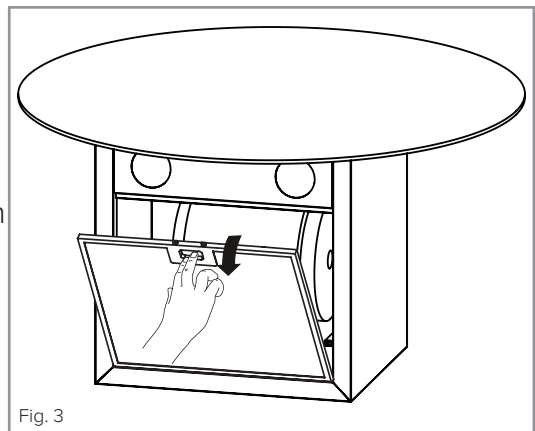


Fig. 3

After rinsing and drying, reassemble the grease filter to the hood by reversing the removal process.

**Please note:**

Cleaning the grease filter in the dishwasher may lead to discolouration. This is normal and does not constitute a fault with the appliance.

**Changing the charcoal filter (re-circulating mode only)**

To ensure best performance of your extractor, you should replace the charcoal filters every four to six months, depending on use. The charcoal filters are an optional accessory. These are available from the CDA Sales team on 01949 862010 under code CHA33.

**To attach the charcoal filters:**

- Remove the grease filter as described on the previous page.
- Align the slots on the charcoal filter with the notch on the side of the motor. Place the filter onto the motor and turn clockwise slightly. The filter should hold firmly in place. Repeat with the other side.
- Finally, replace the grease filter.

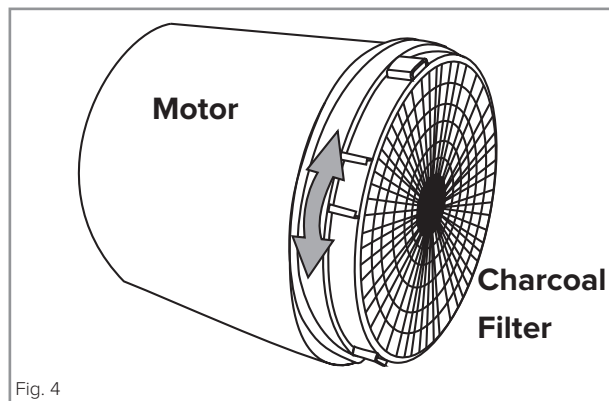
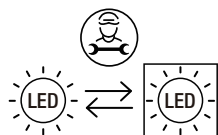


Fig. 4



## LED lighting

In case of malfunction of the illumination system contact the technical service.



Replaceable (LED only) light source by a professional

Contact details are on the rear cover of this manual.

## Troubleshooting

### **Please note:**

Your extractor is equipped with a motor protection device that will switch off the motor to prevent damage from overheating. This may happen during cooking when most or all of the zones/burners are being used simultaneously, or if your extractor is installed incorrectly, lower than the recommended height.

This is normal, and the extractor will work again once the motor has cooled sufficiently.

### **If your extractor is not working:**

1. Check that the mains supply has not been switched off.
2. Check that the fuse in the spur has not blown.
3. Check that the control panel is clean and free from grease

### **Contact CDA Customer Care**

**A:** Customer Care Department, The CDA Group Ltd, Harby Road,  
Langar, Nottinghamshire, NG13 9HY

**T:** 01949 862 012 **F:** 01949 862 003 **E:** [customer.care@cda.eu](mailto:customer.care@cda.eu)

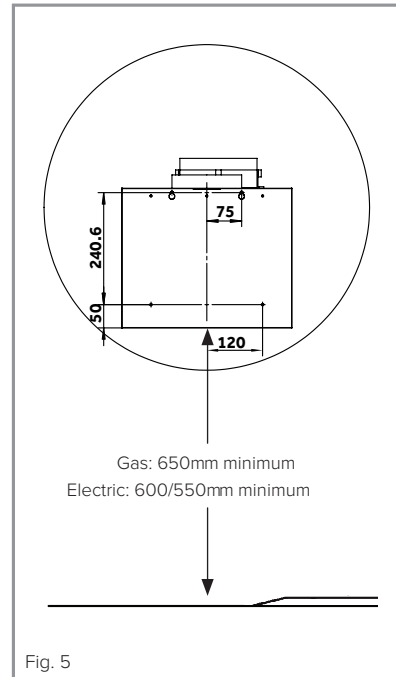
**W:** [www.cda.eu](http://www.cda.eu)

## Installation - height

When the extractor is to be installed above an electric hob, the minimum distance between the hob and extractor must exceed 600mm for ceramic and solid plate hobs and 550mm for induction Hobs.

When the extractor is to be installed above a gas hob, the minimum distance between the hob and extractor must exceed 650mm.

If the instructions provided with your gas hob state that the required distance between the hob and extractor must be greater than 650mm, then that is the distance that should be observed; this is a legal requirement and may lead to your hob being disconnected from the gas supply and the installation being reported under RIDDOR.



**Note:** The height should be measured from the top of the burners to the grease filter.

- **IN THE ABSENCE OF ANY INSTRUCTIONS SUPPLIED WITH THE GAS HOB, THE MINIMUM DISTANCE BETWEEN THE HOB AND EXTRACTOR MUST BE AT LEAST 650mm.**
- **The width of any hob must not be greater than the width of the extractor installed above it.**
- **Always bear servicing in mind. The extractor should always be easily accessible or removeable after installation.**

## Installation - preparation and ducting

**The metal casing of this appliance has been coated with a preservative to protect it during transport and storage. This should be removed during installation by using a non-abrasive stainless steel cleaner. Always follow the instructions given with the cleaner being used. Please ensure that there is no power being supplied to the appliance whilst you do this.**

### Ducting

For best performance and lowest noise output, we recommend the use of 150mm ducting. Lesser diameter ducting may be used but this will reduce performance and increase the noise of the extractor. Wherever possible use rigid circular pipe which has a smooth interior, rather than the expanding concertina type ducting. The lengths of the ducting without performance being affected are as follows:

- 4 metres with 1 x 90° bend.
- 3 metres with 2 x 90° bends.
- 2 metres with 3 x 90° bends.

### Note:

- We recommend that you seek the help of another individual when installing this product.
- We recommend that you wear PPE when handling this extractor.
- The fixings supplied are suitable for most installations. It is the responsibility of the installer to ensure that the fixings are suitable for the ceiling type in the property.
- **Cover any hob, or surface below the area in which the extractor is to be installed, so that no damage befalls it.**

## Installation - mounting the extractor

The first thing to do is to remove the grease filter as per page 7.

The extractor body is held in place by four screws. The positions of these screws, relative to the centre line of the body, are shown in Fig. 5 on page 10. Overall dimensions of the extractor are shown in Fig. 1 on page 4.

With the final position in mind, mark out the hole positions on the wall upon which the extractor will be mounted. If the height of the kitchen/ installation allows for both chimney sections to be used, then a bracket is provided to secure the upper section in place. This, shown in Fig. 6, should be prepared and fitted now.

**Please note:** If you are recirculating the air through charcoal filters (and not ducting to the outside) and only have room for one chimney section, then the piece with slits at the top should be used. This allows air to escape back into the kitchen.

Drill out the holes and insert wall plugs or fittings required for the surface. **Make sure no electrical cables or similar lie behind the surface being drilled.**

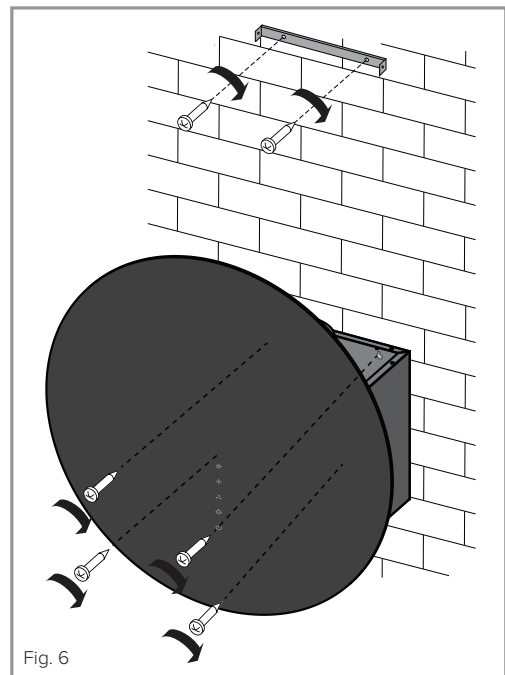
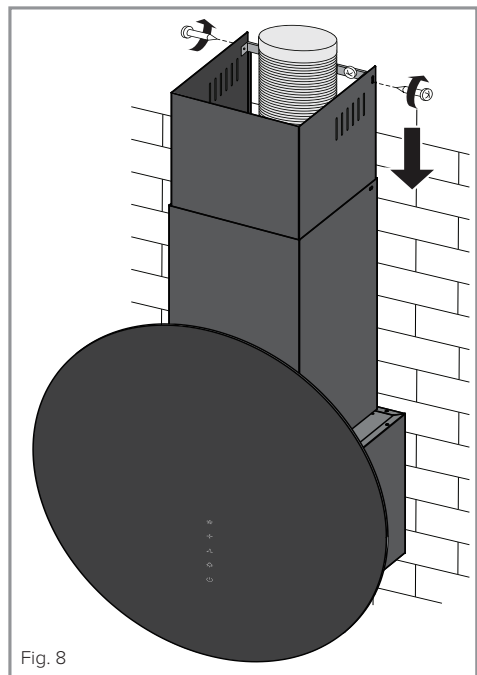
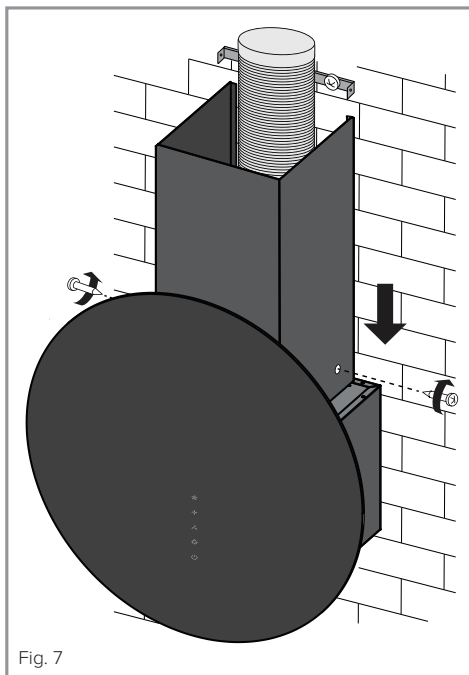


Fig. 6

Insert two screws into the upper two holes of the four that have been prepared for the extractor body. Carefully, with the help of another, lift the extractor into place and guide it onto these screws. Tighten these screws, from inside the appliance, if possible.

Insert two screws into the two lower wall holes through the pre-drilled holes in the extractor body (from the inside). The extractor should now be securely mounted on the wall.

Secure any ducting to the extractor and mount the chimney pieces. Secure the lower section as per Fig. 7 and then raise and secure the upper section as per Fig. 8.



# Mains electrical connection

**THIS APPLIANCE MUST BE CONNECTED TO THE MAINS SUPPLY BY A COMPETENT PERSON, USING FIXED WIRING VIA A DOUBLE POLE SWITCHED FUSE SPUR OUTLET AND PROTECTED BY A 3A FUSE.**

We recommend that the appliance is connected by a qualified electrician, who is a member of the N.I.C.E.I.C. and who will comply with the I.E.T. and local regulations.

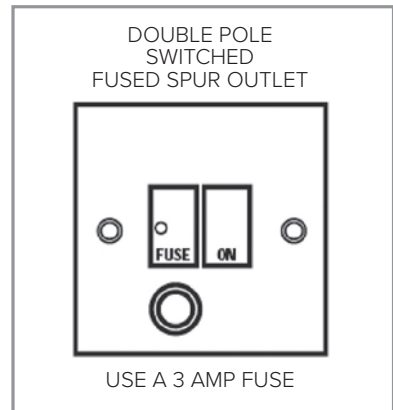
The wires in the mains lead of this appliance are coloured in accordance with the following code:

**Green & Yellow = Earth**

**Blue = Neutral**

**Brown = Live**

As the colours of the wires in the mains lead for the appliance may not correspond with the coloured markings identifying the terminals connecting to the fuse spur, proceed as follows:



- The wire which is coloured green and yellow must be connected to the terminal marked E (Earth) or coloured green.
- The wire which is coloured blue must be connected to the terminal marked N (Neutral) or coloured black.
- The wire which is coloured brown must be connected to the terminal marked L (Live) or coloured red.

---

**Note: Use a 3A Fuse.**

Assembly and electrical connection should be carried out by specialised personnel.

The isolation switch and fuse for this appliance should be easily accessible after installation is complete.

## **Electrical information**

Mains electrical voltage: 230-240Vac

**Total rated power consumption:**

74W

---

**NOTES:**



Energy Efficiency Information			
Attribute	Symbol	Value	Units
Model Identification		EVQ71	
Annual Energy Consumption	$AEC_{Hood}$	11.9	kWh
Time increase factor	$f$	0.9	
Fluid Dynamic Efficiency	$FDE_{Hood}$	30.3 (A)	
Energy Efficiency Index	$EEI_{Hood}$	36.5 (A++)	
Measured airflow at Best Efficiency Point	$Q_{BEP}$	212.2	$m^3/h$
Measured Pressure at Best Efficiency Point	$P_{BEP}$	141	Pa
Maximum airflow	$Q_{MAX}$	579.2	$m^3/h$
Measured electric power at Best Efficiency Point	$W_{BEP}$	27.4	W
Nominal lighting power	WL	4.0	W
Average illumination of the lighting system on the cooking surface	$E_{Middle}$	290	Lux
Measured power consumption in standby	$P_S$	0.388	W
Measured power consumption off mode	$P_O$	0.335	W
Sound power level	$L_{WA}$	62	dBA
Grease Filter Efficiency	$GFE_{Hood}$	69.8 (D)	%
Lamp efficiency	$LE_{Hood}$	72 (A)	%

E & O E. All instructions, dimensions and illustrations are provided for guidance only. CDA reserve the right to change specifications without prior notice.



**For service or queries relating to your product please contact:**

The Customer Care Department on **01949 862 012** or email [customer.care@cda.eu](mailto:customer.care@cda.eu)

**For more information please contact:**

The Sales Department on **01949 862 010** or email [sales@cda.eu](mailto:sales@cda.eu)

**Customer Care Department.** The CDA Group Ltd, Harby Road, Langar, Nottinghamshire, NG13 9HY  
**T:** 01949 862 012 **F:** 01949 862 003 **E:** [customer.care@cda.eu](mailto:customer.care@cda.eu)