

|C|D|A|

EXG60BL EXG90BL

Gesture control extractor hood
Use and maintenance

Contents

3	Important information
5	Using your extractor
6	Touch controls
6	Lighting
6	Off-Timer
7	Gesture controls
10	Cleaning and maintenance
11	Changing the charcoal filter
12	Changing the light
12	Ducting and ventilation
13	Installation
18	Mains electrical connection
19	Troubleshooting

Important information

The CDA Group Ltd cannot be held responsible for injuries or losses caused by incorrect use or installation of this product. Please note that CDA reserve the right to invalidate the guarantee supplied with this product following incorrect installation or misuse of the appliance or use in a commercial environment.

This appliance is not designed to be used by people (including children) with reduced physical, sensorial or mental capacity, or who lack experience or knowledge about it, unless they have had supervision or instructions on how to use the appliance by someone who is responsible for their safety.

Under no circumstances should any external covers be removed for servicing or maintenance except by suitably qualified personnel.

Appliance information:

Please enter the details on the appliance rating plate below for reference, to assist CDA Customer Care in the event of a fault with your appliance and to register your appliance for guarantee purposes.

Appliance Model	
Serial Number	

Declarations of Conformity:

This appliance has been manufactured to comply with all EU & UK statutory requirements and complies with all applicable legislation and the following European Directives:

- The Low Voltage Directive 2014/35/EU
- Electromagnetic Compatibility Directive 2014/30/EU


The product has been marked with the UKCA and CE symbols.



This appliance is marked according to the European directive 2004/104/EC on Waste Electrical and Electronic equipment (WEEE).

IMPORTANT INFORMATION FOR THE CORRECT DISPOSAL OF THE PRODUCT IN ACCORDANCE WITH EC DIRECTIVE 2002/96/EC.

At the end of its working life, the product must be taken to a special local authority waste collection centre or to a dealer providing appliance recycling services.

Disposing of a household appliance separately avoids possible negative consequences for the environment and health. It also enables the constituent materials to be recovered, saving both energy and resources. As a reminder of the need to dispose of household appliances separately, the product is marked with a crossed-out wheeled dustbin .

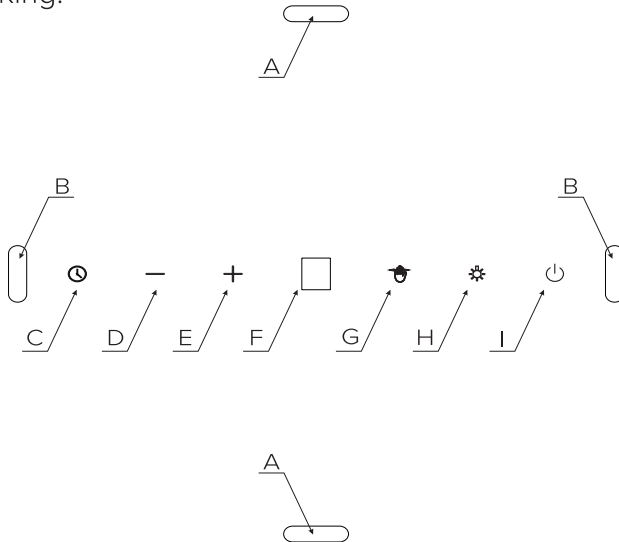
Please note:

- Under no circumstances should the extractor be connected to any gas ventilation system, flue system or hot air ducting system
- Do not vent the extractor into an attic or loft space
- Only house the extractor in rooms with adequate ventilation. Remember that the extractor is powerful and whatever air is extracted needs to be replaced
- Do not tile the extractor in. It should be removable for service or maintenance
- You must be able to isolate the extractor from the mains electrical supply after installation
- Steam cleaners must not be used when cleaning this appliance.

- The performance of your extractor will vary depending on a number of factors. These include: type of extraction, length of ducting, room volume, ventilation available and cleanliness of the filters



Using your extractor




For best performance, you should switch on the extractor 15 minutes before starting cooking and for approximately 15 minutes after cooking.





- A - Gesture sensors for turning the light on/off
- B - Gesture sensors for fan speed
- C - Timer sensor
- D - Reduce fan speed sensor
- E - Increase fan speed sensor
- F - Display
- G - Gesture control on/off sensor
- H - Light sensor
- I - On/off sensor





Touch controls

When the appliance is first plugged in,  will briefly show on the display and then the display will go off. Only the gesture control sensor  will be illuminated.





Touch  to switch the appliance on. Once the appliance is on, touch  to increase the fan speed and  to decrease the speed. the fan speeds start with the lowest at 1 and the highest at 3.




There is a turbo function which can be activated for a maximum of 5 minutes at a time. When at fan setting 3, touch the  to enter turbo mode and the display will show  and a dot will flash. After 5 minutes the fan speed will revert to setting 3 and the dot on the display will disappear.





Lighting

Touch  to turn on the bottom lighting. Touch  a second time to turn on the decorative lighting at the top of the appliance. Touch  a third time and all lighting will go out. Alternatively, touch and hold  for 2 seconds and both sets of lights will turn on.




Off-Timer

The Off-Timer can be used to automatically turn the appliance off after a specified time. The Off-Timer can be set to 5, 10 or 15 minutes. Touch  to activate the Off-Timer at any time. The sensor will flash and the display will show . Now use the  and  sensors to select the Off-Timer delay:

Display indication	Delay time (Min)
	15
	10
	5

Touch  to confirm your Off-Timer setting (according to the table on the previous page). A flashing dot will appear by the fan speed on the display and the  sensor will flash. Touch  to deactivate the Off-Timer at any time, the dot by the fan speed and the  will stop flashing.

Gesture controls

When you plug your appliance in the gesture control is active and the  indicator is illuminated. Touch  to turn off gesture control. Touch  again to reactivate gesture control.

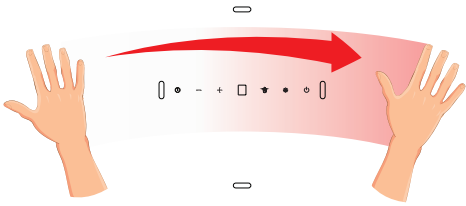
You can use gesture controls to control the fan speed and lighting. You can continue to use the touch sensors even if the gesture control function is active.


For best performance, the gestures should be made approximately 5cm from the surface of the control panel.

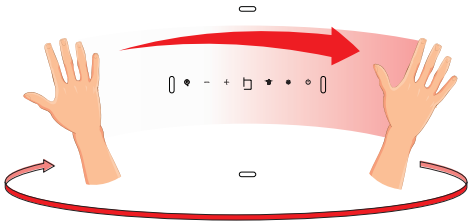
When activating a certain function (such as turbo speed) requires multiple hand gestures, reposition your hand for another gesture away from the control panel to avoid triggering the motion sensors accidentally. Hand movements should not be fast, typically a single gesture should take about 1 second.

Please see the next pages for gestures and their functions.

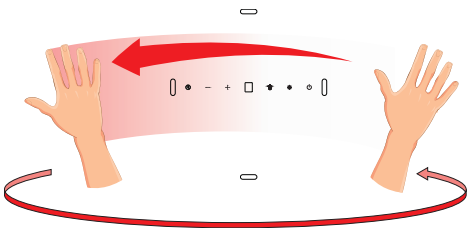
Gesture controls - Fan speed




To activate the appliance, move your hand from left to right. the display will show 

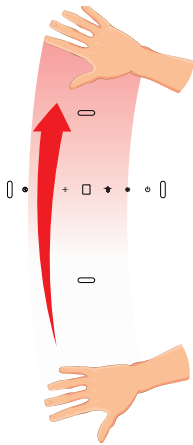


To turn on the fan or increase the speed, move your hand from left to right several times. The display will show the current fan speed after each gesture

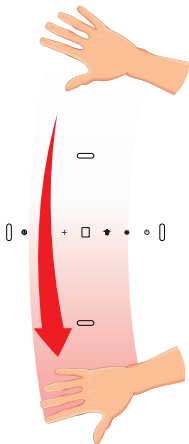


To turn off or reduce the fan speed, move your hand from right to left several times until the display shows . Move your hand one more time and the appliance will turn off. The gesture control will still be active

Gesture controls - Lighting



Move your hand from the bottom of the control panel to top of the control panel to turn on the lighting. Move your hand from the bottom up to the top once more and the decorative lighting will also turn on



Move your hand from the top of the control panel to the bottom of the control panel as many times as required to turn off the lighting

Cleaning and maintenance

IMPORTANT: DO NOT PERFORM MAINTENANCE OR CLEANING OF THE EXTRACTOR WITHOUT FIRST SWITCHING OFF THE ELECTRICITY SUPPLY.

Cleaning

You should use a non-abrasive cleaner. Any abrasive cleaner (including Cif) will scratch the surface and could erase the control panel markings.

You can clean your extractor effectively by simply using a dilute solution of water and mild detergent and drying to a shine with a clean cloth.

We recommend always wearing PPE (Personal Protective Equipment) when carrying out any cleaning or maintenance.

IMPORTANT:

- **Steam cleaners must not be used when cleaning this appliance.**
- **Once care and maintenance is complete, ensure that all parts are correctly replaced before using the extractor.**

Cleaning the grease filter

The grease filters should be kept clean to minimise the risk of fire. At least once a month you should remove and clean the grease filters with hot soapy water. You can also wash the grease filters in a dishwasher, ensuring that you place it in an upright position to prevent damage from other items in the dishwasher. After rinsing and drying, replace the filters.

To remove the grease filter, pull the glass control panel towards you and the panel will move upwards then pull open the handle on the grease filter marked with the arrow in Fig. 1. It will release at the handle side. Then lower the grease filter to remove it completely. To replace the grease filter, repeat the steps in reverse.

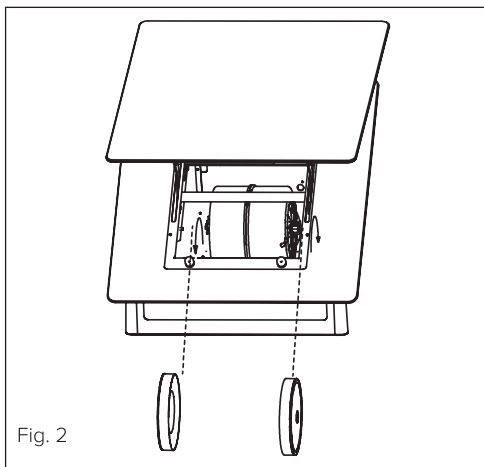
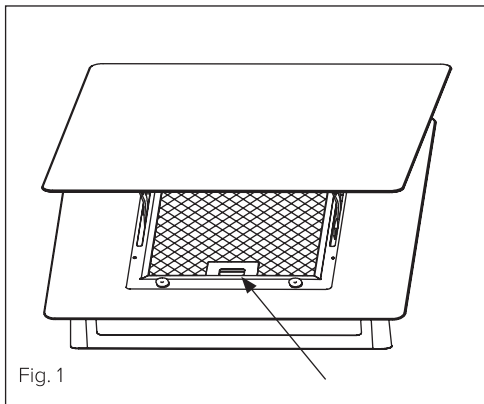
Please note:

Cleaning the grease filters in the dishwasher may lead to discolouration. This is normal and does not constitute a fault with the appliance.

Changing the charcoal filter (re-circulating only)

To ensure best performance of your extractor, you should replace the charcoal filters every four to six months, depending on use.

To attach a new charcoal filter, first remove the grease filters as described above. Then offer up the charcoal filter to the side of the motor as shown in Fig. 2 and turn it clockwise until it locks into place. Repeat with the other charcoal filter on the other side of the motor. Then replace the grease filters and return the glass panel to its previous position.



Changing the light

This appliance is fitted with energy saving LED lighting that has a considerably longer life expectancy than traditional filament bulbs. These are not user-replaceable in the unlikely event of a failure.

Do not touch bulbs or adjacent areas during or straight after prolonged use of the lights. The light is designed for use during cooking and not for general room illumination. Extended use of the light can reduce the life span of the bulb.

Ducting and ventilation

For best performance and lowest noise output, we recommend the use of 150mm ducting. You can also use 120mm ducting but this will reduce performance. In general, the less ducting you use (i.e. distance and bends) the more efficient your extractor will be.

The lengths of ducting with minimal effect on performance are as follows:

- 4 metres with 1 x 90° bend.
- 3 metres with 2 x 90° bends.
- 2 metres with 3 x 90° bends.

Longer ducting can be used but the performance of the extractor will likely be reduced.

Please note: Ducting components and ducting kits are optional accessories and have to be ordered, they are not automatically supplied with the hood. Use of ducting less than 150mm in diameter will affect performance and increase the noise produced by the extractor.

Installation

- We recommend that you seek the help of another individual when installing this product. Always wear adequate PPE (Personal Protective Equipment).
- The fixings supplied are suitable for most installations. It is the responsibility of the installer to ensure that the fixings are suitable for the wall type in the property.

IMPORTANT: When preparing to connect the extractor to the mains power supply, that the electrical connection to the extractor should not be located inside the boundaries of the chimney. This is especially important if the extractor is to be used in recirculation mode. There must be an isolation switch, which is easily accessible after installation, so that the extractor can be disconnected from the mains electrical supply.

Mounting your extractor

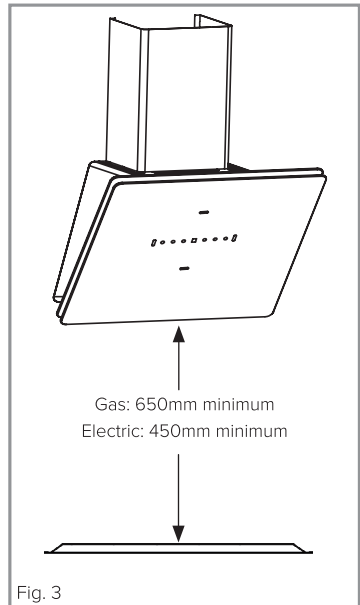
When the extractor is to be installed above an electric, ceramic or induction hob, the minimum distance between the hob and extractor must be at least 450mm.

When the extractor is to be installed above a gas hob, the minimum distance between the hob and extractor must be at least 650mm.

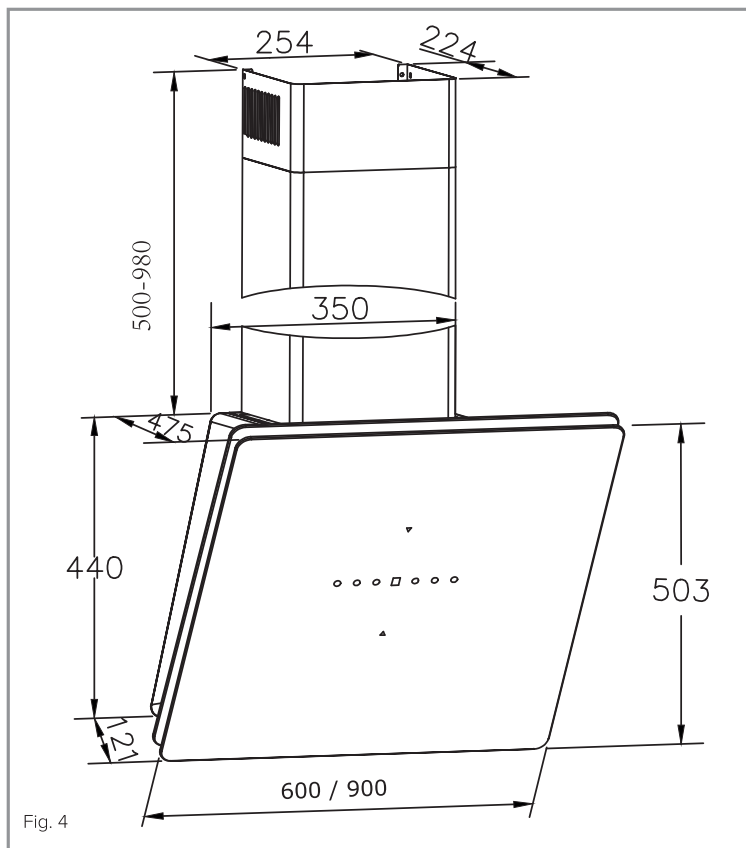
If the instructions provided with your gas hob state that the required distance between the hob and extractor must be greater than 650mm, then that is the distance that should be observed; this is a legal requirement and may lead to your hob being disconnected from the gas supply and the installation being reported under RIDDOR (The height should be measured from the top of the burners).

IN THE ABSENCE OF ANY INSTRUCTIONS SUPPLIED WITH THE GAS HOB, THE MINIMUM DISTANCE BETWEEN THE HOB AND EXTRACTOR MUST BE AT LEAST 650mm.

The width of any hob must not be greater than the width of the extractor installed above it.



Below are images showing the extractor dimensions for both models below. This is intended to help with preparation for installing the extractor.



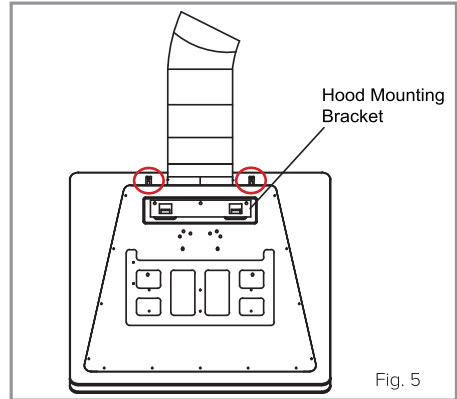
Taking into account the extractor dimensions, and the advice regarding installation height as per page 14, roughly mark the centre line for the extractor.

Use the supplied template to finalise the extractor's position before using a pencil or similar to mark the mounting bracket and screw hole positions.

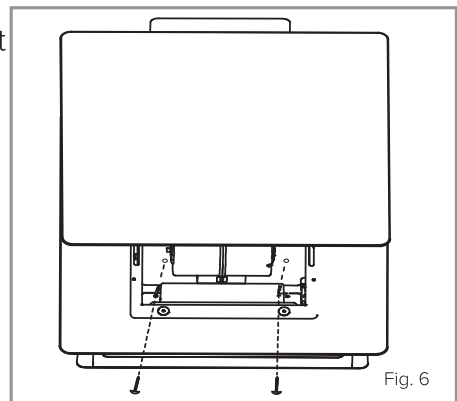
Installation

Once you are content with the prepared area, drill out the holes indicated by the markings on the template and insert wall plugs. The three holes in the upper half of the supplied template are where the mounting bracket is to be located. Fit this bracket now (but do not mount the extractor yet).

Drill two holes indicated in the lower half of the template and insert wall plugs. Once the extractor is mounted on the bracket in Fig.5 , two extra screws inserted here will provide extra support for the extractor body. There are pre drilled holes at the back of the extractor parallel to the motor for these screws (Fig. 6)



When the steps above have been completed, the extractor can be placed on to the mounting bracket as shown in Fig. 5. Once the extractor is securely mounted on the bracket, two screws should be inserted through the small brackets and in to the wall as circled in Fig. 5. You should then proceed to insert two screws through the back of the extractor to the wall via the pre- drilled holes as shown in Fig. 6.



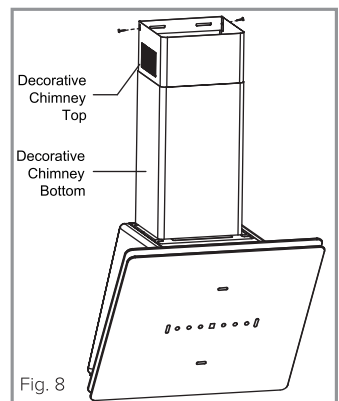
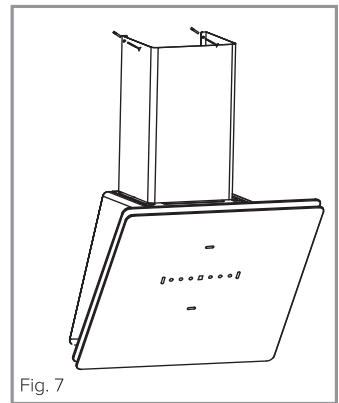
If you are using ducting to your extractor to ventilate the extracted air outside now is the time to attach it. Place the ducting pipe over the duct outlet at the top of the extractor. Use duct tape or a cable tie to secure it. If you are recirculating the air back in to the room no ducting is required.

Place the bottom section of the decorative chimney over the duct outlet and using a pencil or similar mark through the holes at the top of the chimney rail.

Drill two holes where you made the markings and insert two wall plugs in to the holes. You can now mount the bottom chimney section as per Fig. 7.

Slide the top section of the chimney through the bottom section and adjust as necessary. Hold the chimney bracket in place at the top of the top section as shown in Fig. 8 and using a pencil or similar, mark two holes against the wall.

Drill two holes and insert wall plugs. With the chimney bracket in place insert two screws through the bracket and into the wall. Finally insert the last two screws from the side of the chimney and through in to the bracket.



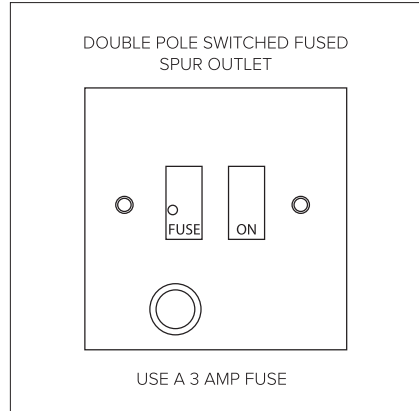
Mains electrical connection

Warning! This appliance must be earthed.

This appliance must be connected by a competent person, using fixed wiring via a double pole switched fused spur outlet, protected by a 3A fuse.

We recommend that the appliance is connected by a qualified electrician, who is a member of the N.I.C.E.I.C. and who will comply with the I.E.T. and local regulations. The wires in the mains lead are coloured in accordance with the following code:

GREEN AND YELLOW = EARTH
BLUE = NEUTRAL
BROWN = LIVE



As the colours of the wires in the mains lead for the appliance may not correspond with the coloured markings identifying the terminals in your spur box, proceed as follows:

1. The wire which is coloured green and yellow must be connected to the terminal marked E (Earth) or coloured green
2. The wire which is coloured blue must be connected to the terminal marked N (Neutral) or coloured black
3. The wire which is coloured brown must be connected to the terminal marked L (Live) or coloured red

Troubleshooting

In the event of your appliance requiring technical assistance and/or spare parts, please contact CDA Customer Care.

In this case it is necessary to state all the appliance data on the rating plate, such as model, serial number etc. This information can be found behind the grease filters

CDA Customer Care

Phone: 01949 862 012

Email: customer.care@cda.eu

Problem	Reason	Solution
The appliance does not work	No power/ power outage	Check the fuse, replace if blown
	Wires have disconnected	
		Ensure the power supply is securely connected
Output of appliance is low	Setting is too low for amount of fumes present	Try a higher speed setting
	Inadequate ventilation in the kitchen	Ensure the kitchen has sufficient air intake
	Charcoal filter (if fitted) is blocked	Replace the charcoal filter
	Ducting is obstructed	Remove any obstructions from the ducting
	Exit flaps on the motor housing are restricted	Ensure any obstructions are removed so the flaps can move freely
Extractor stops mid operation	There is a power outage	Check the power supply
	The circuit breaker or fuse has tripped	Check the circuit breaker or fuse

The CDA Group

Harby Road

Langar

Nottinghamshire

NG13 9HY

Sales Department

Phone: 01949 862010

Email: sales@cda.eu

CDA Customer Care

Phone: 01949 862012

Email: customer.care@cda.eu

