



VM101

Freestanding Microwave

Installation, use and maintenance



Contents:

3	Important
5	Important information
6	Important safety information on microwave cooking
10	Fitting out your appliance
11	First use of the (microwave) oven
12	Oven controls and use
12	Setting the clock
12	Microwaving
13	Defrosting
14	Auto menu
14	Minute minder
15	Auto menu details
16	Key lock
17	Care and maintenance
18	Troubleshooting
19	Troubleshooting
20	Installation
21	Electrical information

Important

This appliance must only be used for the purpose for which it is intended, i.e. domestic cooking. Any other use could be dangerous and may lead to premature failure of the appliance.

The CDA Group Ltd cannot be held responsible for injuries or losses caused by incorrect use or installation of this product. Please note that CDA reserve the right to invalidate the guarantee supplied with this product following incorrect installation or misuse of the appliance.

Under no circumstances should any external covers be removed for servicing or maintenance except by suitably qualified personnel.

This appliance is not designed to be used by people (including children) with reduced physical, sensorial or mental capacity, or who lack experience or knowledge about it, unless they have had supervision or instructions on how to use the appliance by someone who is responsible for their safety.

Appliance information:

Please enter the details on the appliance rating plate below for reference, to assist CDA Customer Care in the event of a fault with your appliance and to register your appliance for guarantee purposes.

Appliance Model	VM101
-----------------	-------

Serial Number	
---------------	--


EU Declarations of Conformity:

This oven has been designed, constructed and marketed in compliance with safety requirements of EU Directive 2014/35/EU (Low voltage) and requirements of EU Directive 2014/30/EU.

This appliance has been manufactured to the strictest standards and complies with all applicable legislation, including Electrical safety (LVD) and Electromagnetic interference compatibility (EMC). Parts intended to come into contact with food conform to 1935/2004/EC.

IMPORTANT INFORMATION FOR CORRECT DISPOSAL OF THE PRODUCT IN ACCORDANCE WITH EC DIRECTIVE 2012/19/EU.

At the end of its working life, the product must not be disposed of as urban waste. It must be taken to a special local authority differentiated waste collection centre or to a dealer providing this service.

Disposing of a household appliance separately avoids possible negative consequences for the environment and health deriving from inappropriate disposal and enables the constituent materials to be recovered to obtain significant savings in energy and resources. As a reminder of the need to dispose of household appliances separately, the product is marked with a crossed-out wheeled dustbin. 

Important

- Read the user instructions carefully before using the oven for the first time.
- Follow the instructions for first use of the oven.
- Clean the oven regularly.
- Remove spills as soon as they occur, but switch power off first.
- Always use oven gloves when removing items from the oven.
- Do not allow children near the oven when in use.
- Children must not play with the appliance.
- Cleaning and user maintenance shall not be made by children unless they are older than 8 and supervised.
- Keep the appliance and its cable out of reach of children less than 8 years old.
- Do not place any cooking utensils or plates directly on the oven base.
- Do not perform maintenance or cleaning of the oven without first switching off the electricity supply. If the oven has recently been used, allow to cool.
- Do not use abrasive cleaners or powders that will scratch the surface of the appliance.
- Do not attempt to repair the internal workings of your oven.
- Install or locate this oven only in accordance with the installation instructions provided.
- Accessible surfaces are liable to get hot during use.
- Keep the electrical cable away from heated surfaces, and do not cover any vents on the oven.

Important - Microwave Cooking

- Do not attempt to operate this microwave oven with the door open or ajar. It is important not to alter or tamper with the safety interlocks.
- Do not place anything between the oven front face and the door, or allow soil or cleaning residues to accumulate on sealing surfaces.
- **WARNING: If the door, door seal or interlocks are damaged, the oven must not be used until it is repaired by a suitably qualified person.**
- Liquids and other foods must not be heated in sealed containers since they are liable to explode.
- **WARNING: It is hazardous for anyone other than a competent person to carry out any service or repair operation that involves the removal of a cover which gives protection against exposure to microwave energy.**
- Only use utensils suitable for use in microwave ovens.
 - Do not use metal pans or dishes with metal handles.
 - Do not use anything with metal trim.
 - Do not use melamine dishes as they contain a material which will absorb microwave energy. This may cause the dishes to crack or char and will slow down the cooking speed.
 - Do not cook in a container with a restricted opening, such as a carbonated drinks bottle or salad oil bottle, as they may explode if heated in a microwave oven.
 - Do not use conventional meat or sugar thermometers.
 - Remove wire twist-ties from bags before placing bags in the oven.
- The oven should be cleaned regularly and any food deposits should be removed. Always disconnect the power first.

- If smoke is emitted, switch off or unplug the appliance and keep the door closed in order to stifle any flames.
- Do not use the oven cavity for storage purposes. Do not store items, such as bread, cookies, books etc. inside the oven.
- Eggs in the shell and whole hard-boiled eggs should not be heated in microwave ovens since they may explode, even after microwave heating has ended.
- Do not cook any food surrounded by a membrane, such as egg yolks, potatoes, chicken livers, etc. without first piercing it several times with a fork.
- If the supply cable is damaged, it must be replaced by the manufacturer, its approved service agent or similarly qualified persons in order to avoid a hazard.
- Do not store or use this appliance outdoors.
- Do not use this oven near water, in a wet basement or near a swimming pool.
- Do not let the power cable hang over the edge of a table or worktop.
- Failure to maintain the oven in a clean condition could lead to deterioration of the surfaces that could adversely affect the life of the appliance and possibly result in a hazardous situation.
- Microwave heating of beverages can result in delayed eruptive boiling, therefore care must be taken when handling the container.
- This appliance is not intended to be operated by means of an external timer or separate remote-control system.
- Always have the glass tray, roller arms, coupling and roller track in place when operating the microwave oven.
- Do not use the oven for any reason other than food preparation, such as for drying clothes, paper, or any other non-food items, or for

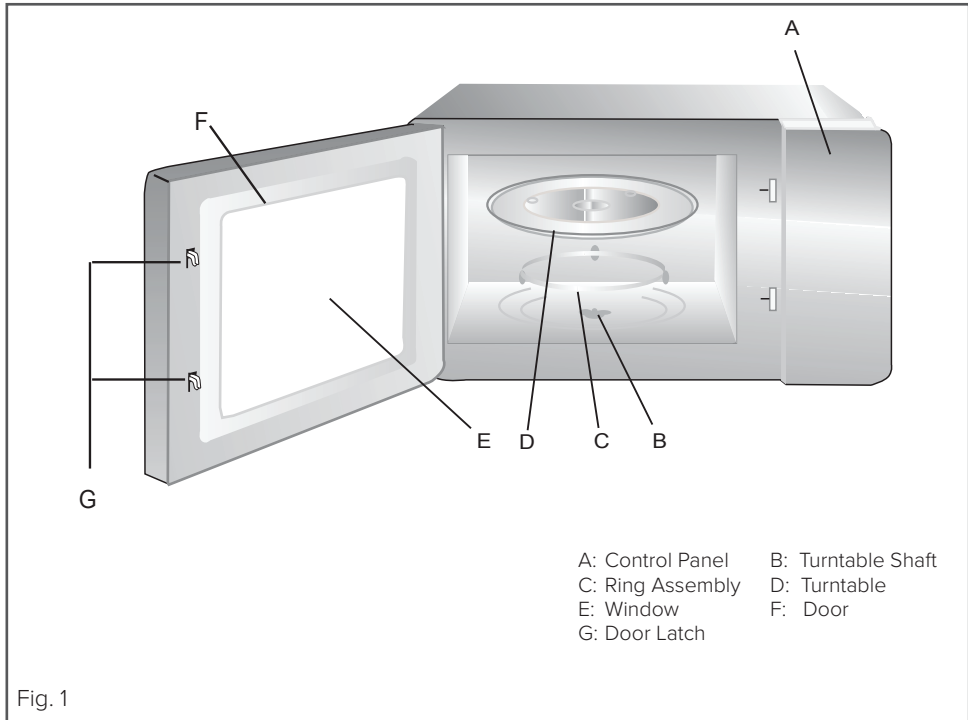
sterilizing purposes.

- Do not operate the microwave oven when empty. This could damage the oven.
- Do not insert any object into the openings on the outer case.
- Do not at any time remove parts from the oven such as the feet, coupling, screws, etc.
- Do not cook food directly on the glass turntable. Place food in/on proper cooking utensils before placing in the oven.
- Do not attempt to deep-fry foods in the oven.
- Please remember that a microwave oven only heats the liquid in a container rather than the container itself. Therefore, even though the lid of a container is not hot to the touch when removed from the oven, the food/liquid inside will be releasing the same amount of steam and/or spitting when the lid is removed as in conventional cooking.
- Always test the temperature of cooked food yourself especially if you are heating or cooking food/liquid for babies. It is advisable never to consume food/liquid straight from the oven but allow it to stand for a few minutes and stir food/liquid to distribute heat evenly.
- Food containing a mixture of fat and water, e.g. stock, should stand for 30-60 seconds in the oven after it has been turned off. This is to allow the mixture to settle and to minimise the risk of eruptive boiling when a spoon is placed in the food/liquid or a stock cube is added.
- When preparing/cooking food/liquid remember that there are certain foods, e.g. Christmas puddings, jam and mincemeat, which heat up very quickly.
- When heating or cooking foods with a high fat or sugar content do

not use plastic containers.

- Cooking utensils may become hot because of heat transferred from the food. This is especially true if plastic wrap has been covering the top and handles of the utensils. Oven gloves may be needed to handle the utensils.
- To reduce the risk of fire in the oven cavity:
 - Do not overcook food.
 - Watch the microwave oven carefully if paper, plastic, or other combustible materials are used inside the oven during cooking.

Fitting out your appliance



Note:

- Never place the glass turntable upside down. The movement of the glass turntable should never be restricted.
- Both the glass turntable and the ring assembly must always be used during cooking.
- Food and containers of food must always be placed on the glass turntable for cooking.

First use of the oven

First use

- Before using the microwave oven for the first time we recommend that you clean it with soapy water, rinse and dry carefully.

Please note:

- This appliance has been fitted with a cooling fan to achieve maximum efficiency and to maintain low surface temperatures. The cooling fan will switch on automatically when the oven switches on. It is normal for the cooling fan to continue to run after use, depending on the duration of cooking programme used.
- The oven light remains on for every cooking function.

When the microwave oven is first connected to the power supply the display will show “0:00” and it will sound one beep.

Oven controls and use

Setting the Clock

- Press the “Clock” button once: The hours figure will flash.
- Turn the “Timer/Weight/Auto Menu” knob in either direction to set the hours (between 0 - 23), note the appliance works in the 24hour clock format.
- Press the “Clock” button again: The minutes figure will flash.
- Turn the “Timer/Weight/Auto Menu” knob in either direction to set the minutes (between 0 - 59).
- Press the “Clock” button again to finish setting the time: The “:” will flash and the time will light up.

Microwave Cooking

- Press the “Microwave” button once: The Display will show “P100”.
- Turn the “Timer/Weight/Auto Menu” knob in either direction to set the power level (Alternatively, you may prefer to press the “Microwave” button repeatedly until the required power level is shown). This can be set at 100%, 80%, 50%, 30% or 10% of full power; the display shows “P100”, “P80”, “P50”, “P30” or “P10”.
- Press the “Start/+30 Sec/Confirm” button to confirm the power level.
- Turn the “Timer/Weight/Auto Menu” knob in either direction to set the cooking time. This can be set between “00:05” and “95:00” minutes.
- Press the “Start/+30 Sec/Confirm” button again to start cooking.

Quick Start Microwave Cooking

There are two different quick start microwave cooking options that can be used when the oven is in standby mode:-

- Press the “Start/+30 Sec/Confirm” button once and the oven will cook on 100% microwave power for 30 seconds: This cooking time can be increased in 30 second increments by repeatedly pressing the “Start/+30 Sec/Confirm” button.
- Turn the “Timer/Weight/Auto Menu” knob anticlockwise to set a cooking time, then press the “Start/+30 Sec/Confirm” button once and the oven will cook on 100% microwave power for the set time.

Note: Pressing the “Start/+30 Sec/Confirm” button once will increase the cooking time by 30 seconds.

Defrost by Weight

- Press the “Defrost (g)” button once The Display will show “dEF1”.
- Turn the “Timer/Weight/Auto Menu” knob to select the weight of food, between 100g - 2000g.
- Press the “Start/+30 Sec/Confirm” button to start defrosting.

Defrost by Time

- Press the “Timed Defrost” button once The Display will show “dEF2”.
- Turn the “Timer/Weight/Auto Menu” knob in either direction to set the cooking time. This can be set between “00:05” and “95:00” minutes.
- Press the “Start/+30 Sec/Confirm” button to start defrosting: The power level is set at 30% and is not adjustable for this function.

Auto Menu

- Turn the “Timer/Weight/Auto Menu” knob clockwise to select a cooking menu: The menu number from “A-1” to “A-10” will show in the display.
- Press the “Start/+30 Sec/Confirm” button to confirm the menu.
- Turn the “Timer/Weight/Auto Menu” knob to select the cooking weight from the available options in the table on the next page.
- Press the “Start/+30 Sec/Confirm” button to start cooking.

Minute Minder

- Press the “Timer” button: The display will show “00:00”.
- Turn the “Timer/Weight/Auto Menu” knob in either direction to set the time required.
- Press the “Start/+30 Sec/Confirm” button to confirm the setting: The clock indicator will be illuminated and count down the remaining time.
- When the set time is reached, the beeper will sound 5 times then the display will revert back to showing the current time.

Programme Status

- During cooking, the current power level can be displayed by pressing the “Microwave” button once. The power level will be displayed for 3 seconds.
- During cooking programmes, the current time can be displayed by pressing the “Clock” button once. The time will be displayed for 3 seconds.

Auto Menu Details

Menu Number	Food Type	Weight	Display Shows
A-1	Pizza	200g	200
		400g	400
A-2	Potato	200g	200
		400g	400
		600g	600
A-3	Meat	250g	250
		350g	350
		450g	450
A-4	Fish	250g	250
		350g	350
		450g	450
A-5	Vegetables	200g	200
		300g	300
		400g	400
A-6	Drinks	1 (approx. 120ml)	1
		2 (approx. 240ml)	2
		3 (approx. 360ml)	3
A-7	Pasta	50g (plus 450ml cold water)	50
		100g (plus 800ml cold water)	100
A-8	Popcorn	50g	50
		100g	100
A-9	Chicken	200g	200
		400g	400
		600g	600
		800g	800
A-10	Reheat	200g	200
		400g	400
		600g	600

Key Lock:

When the oven is in standby mode the keys can be locked to reduce the risk of accidentally switching the oven on.

- Press the “Stop / Clear” button for 3 seconds, there will be a long beep as the key lock is engaged.
 - If the time is set, the display will show the locked symbol.
 - If the time is not set, the display will show “**⏏**”.
- To unlock the keys, press the “Stop / Clear” button for another 3 seconds, there will be a long beep as the key lock is released.

Care and maintenance

IMPORTANT

There are no user serviceable parts in this appliance. It is dangerous for anyone other than a qualified person to perform maintenance or repair that requires the removal of any cover as these provide protection against exposure to microwave power and extremely high voltages.

The oven exterior

As the oven has a stainless steel surface, you should use a nonabrasive cleaner. Any abrasive cleaner (including Cif) will scratch the surface and could erase the control panel markings. Stainless steel can be effectively cleaned by simply using a dilute solution of water and mild detergent and drying to a shine with a clean cloth.

Proprietary stainless steel cleaners are available. We recommend a clean microfibre cloth for cleaning stainless steel surfaces.

Inside of microwave oven

The oven should always be cleaned after use when it has cooled down.

The cavity should be cleaned using a mild detergent solution and warm water.

ALWAYS switch off or disconnect the mains power supply to the appliance before ANY cleaning or maintenance.

IMPORTANT:

- **Steam cleaners must not be used when cleaning this appliance.**
- **Once care and maintenance is complete, ensure that all parts are correctly replaced before using the oven.**

When correctly installed, your product meets all safety requirements laid down for this type of product. However, special care should be taken around the rear or the underneath of the appliance as these areas are not designed or intended to be touched and may contain sharp or rough edges that could cause injury.

If your appliance is not working:

1. Check that it is switched on.
2. Check that the mains supply has not been switched off.
3. Check that the fuse in the spur has not blown.
4. Check that the door is closing properly and the latches aren't broken.

In the event of a fault with the appliance, please advise CDA Customer Care of any fault code shown on the display

Contact CDA Customer Care

A : Customer Care Department, The CDA Group Ltd, Harby Road,
Langar, Nottinghamshire, NG13 9HY

T : 01949 862 012 **F** : 01949 862 003

E : customer.care@cda.eu **W** : www.cda.eu

Troubleshooting

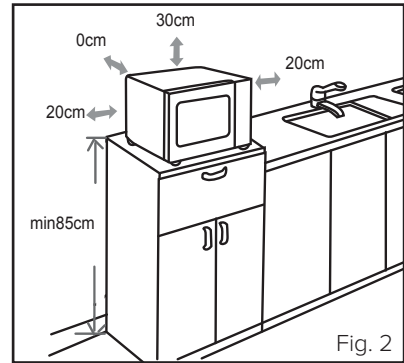
You observe that	Possible Causes	What should you do?
Microwave oven interfering with TV	This is a normal feature of microwave energy.	Relocate TV or aerial to improve reception.
Oven light dim.	In low power microwave cooking the light may dim a little.	This is normal.
Steam condensing on door / hot air expelled from outlets.	Normal heat generated from the cooking process.	This is normal.
The oven cannot be started	Power cable not fully plugged in.	Unplug, wait 10 seconds then plug in again.
	Blown fuse in the plug.	Check fuse in the plug, if fault persists unplug the machine and contact CDA Customer Care.
	Faulty power supply to the socket.	Check the socket by plugging in an other appliance, if fault persists unplug the machine and contact CDA Customer Care.
Microwave oven does not heat.	Door not closed properly.	Open and close the door then try again, if fault persists unplug the machine and contact CDA Customer Care.
Glass turntable noisy when running.	Dirt on rollers or base of oven.	Clean roller track in oven base. Check rollers are clean and turn freely.

Installation

Important

- Select a level surface that has enough open space for the intake and outlet vents (Fig. 2).
- Blocking the intake and/or outlet openings can damage the oven.
- Place the oven as far away from radios and TV's as possible.

Operation of the microwave oven may cause interference to your radio or TV reception.

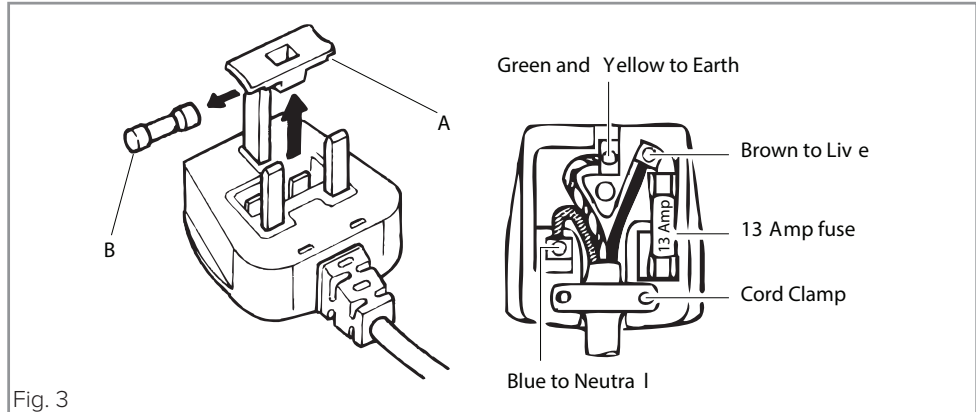


WARNING: Do not install oven over a hob or other heat-producing appliance. If installed near or over a heat source, the oven could be damaged and the warranty will be invalidated.

- The rear surface of the appliance must be placed against a wall.
- Leave a minimum clearance of 30cm above the microwave oven.
- A minimum clearance of 20cm is required between the oven and any adjacent side walls.
- Do not remove the legs from the bottom of the oven.
- The minimum installation height above the floor is 85cm.

Electrical Information

Warning! This appliance must be earthed.



The mains lead of this appliance has been fitted with a BS 1363A 13 Amp fused plug. To change a fuse in this type of plug, follow the steps below:

1. Remove the fuse cover and fuse.
2. Fit replacement 13A fuse, ASTA approved to BS 1362 type, into the fuse cover.
3. Replace fuse cover.

Important: Do not use the appliance without the fuse cover in position.

How to connect an alternative plug

If the fitted plug is not suitable for your socket outlet, then it should be cut off and disposed of safely to avoid possible shock hazard. A suitable alternative plug of at least 13 Amp rating to BS 1363 should be used.

As the colours of the wires in the mains lead of this appliance may not correspond with the coloured markings identifying the terminals in your plug, proceed as follows:-

- The wire which is coloured GREEN and YELLOW must be connected to the terminal which is marked with letter (E) or by the Earth symbol \perp or coloured GREEN and YELLOW.
- The wire which is coloured BLUE must be connected to the terminal which is marked with the letter (N) or coloured BLACK.
- The wire which is coloured BROWN must be connected to the terminal which is marked with the letter (L) or coloured RED.

If in doubt regarding the electrical connection of this appliance, consult a qualified electrician. Do not shorten the supply cable, the appliance may require removing for servicing.

N.B. Ensure that the plug socket is situated in an easily accessible place after installation.

E & O E. All instructions, dimensions and illustrations are provided for guidance only. CDA reserve the right to change specifications without prior notice.



For service or queries relating to your product please contact:

The Customer Care Department on **01949 862 012** or email customer.care@cda.eu

For more information please contact:

The Sales Department on **01949 862 010** or email sales@cda.eu

Customer Care Department. The CDA Group Ltd, Harby Road, Langar, Nottinghamshire, NG13 9HY
T: 01949 862 012 **F:** 01949 862 003 **E:** customer.care@cda.eu