



# CCA51 & CCA71 Extractors

Installation, use and maintenance



---

## Contents:

|         |  |
|---------|--|
| 3       | Important information                            |
| 5       | Important safety warnings/notes                  |
| 6       | Using your extractor                             |
| 7       | Care and maintenance                             |
| 7       | Cleaning the grease filter                       |
| 8       | Cleaning the charcoal filter                     |
| 9       | Changing the light                               |
| 10      | Mains electricity connection                     |
| 12      | Electrical information                           |
| 12      | Troubleshooting                                  |
| 13      | Installation                                     |
| 14      | Mounting your extractor (with cutout dimensions) |
| 14 - 15 | CCA51 dimensions                                 |
| 15      | CCA71 dimensions                                 |
| 16      | Ducting  |
| 17      | Recirculating                                    |
| 19      | Energy efficiency information                    |

## Important

The CDA Group Ltd cannot be held responsible for injuries or losses caused by incorrect use or installation of this product. Please note that CDA reserve the right to invalidate the guarantee supplied with this product following incorrect installation or misuse of the appliance or use in a commercial environment.

This appliance is not designed to be used by people (including children) with reduced physical, sensorial or mental capacity, or who lack experience or knowledge about it, unless they have had supervision or instructions on how to use the appliance by someone who is responsible for their safety.

Under no circumstances should any external covers be removed for servicing or maintenance except by suitably qualified personnel.

### **Appliance information:**

Please enter the details on the appliance rating plate below for reference, to assist CDA Customer Care in the event of a fault with your appliance and to register your appliance for guarantee purposes.

|                 |  |
|-----------------|--|
| Appliance Model |  |
|-----------------|--|

|               |  |
|---------------|--|
| Serial Number |  |
|---------------|--|

## **EU Declarations of Conformity:**

This appliance has been manufactured to the strictest standards and complies with all applicable legislation, including Gas safety, Electrical safety (LVD) and Electromagnetic interference compatibility (EMC).

## **IMPORTANT INFORMATION FOR CORRECT DISPOSAL OF THE PRODUCT IN ACCORDANCE WITH EU DIRECTIVE 2012/19/EU.**

At the end of its working life, the product must be taken to a special local authority waste collection centre or to a dealer providing appliance recycling services.

Disposing of a household appliance separately avoids possible negative consequences for the environment and health. It also enables the constituent materials to be recovered, saving both energy and resources. As a reminder of the need to dispose of household appliances separately, the product is marked with a crossed-out wheeled dustbin.



**Please note:**

- Under no circumstances should the extractor be connected to any gas ventilation system, flue system or hot air ducting system.
- Do not vent the extractor into an attic or loft space.
- Only house the extractor in rooms with adequate ventilation. Remember that the extractor is powerful and whatever air is extracted needs to be replaced.
- Do not tile the extractor in. It should be removable for service or maintenance.
- Do not use silicone sealant to secure the hood to the wall.
- You must be able to isolate the extractor from the mains electrical supply after installation.
- This extractor has been designed to be used in a room with a volume of less than 36m<sup>3</sup>.
- Steam cleaners must not be used when cleaning this appliance.
- The performance of your extractor will vary depending on a number of factors. These include: type of extraction, length of ducting, room volume, ventilation available and cleanliness of the filters.

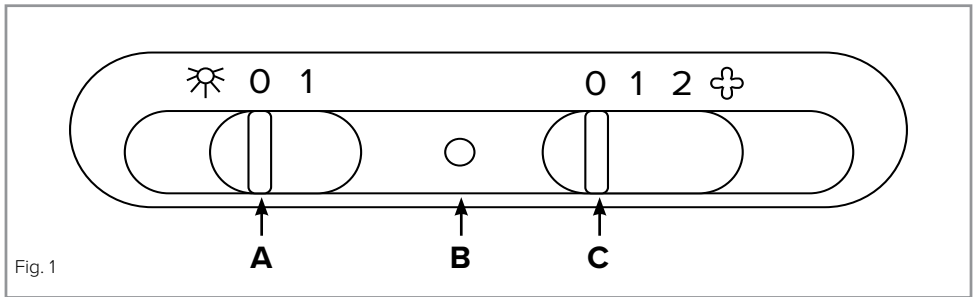
# Using your extractor

For best performance, you should switch on the extractor 15 minutes before starting to cook and leave it to run for approximately 15 minutes after the end of cooking.

A - Light switch

B - Power indicator light

C - Power switch



## To switch the extractor light on or off

- Slide the light switch (A) to position '0' for off and '1' for on.

## To switch on the extractor, or change the motor speed

- Slide the fan switch (C) to the position required dependent on the speed you require. The red power indicator (B) should illuminate.

## To switch the extractor off

- Slide the fan switch (C) to position '0' for off.

# Care and maintenance

**IMPORTANT: DO NOT PERFORM MAINTENANCE OR CLEANING OF THE EXTRACTOR WITHOUT FIRST SWITCHING OFF THE ELECTRICITY SUPPLY. PROTECT ALL AREAS SURROUNDING THE EXTRACTOR WHEN PERFORMING ANY CLEANING OR MAINTENANCE.**

## Cleaning

You should use a non-abrasive cleaner. Any abrasive cleaner (including Cif) will scratch the surface and could erase the control panel markings.

You can clean you extractor effectively by simply using a dilute solution of water and mild detergent and drying to a shine with a clean cloth such as a microfibre cloth.

## Cleaning the grease filter

The grease filter should be kept clean to minimize the risk of fire. At least once a month you should remove and clean the grease filter with hot soapy water.

To remove the grease filter, follow the steps below (and on page 8):

1. Unfasten the securing screws (S in Fig 2) on either side of the cover panel and the cover panel will come off. **Take care not to drop it.**

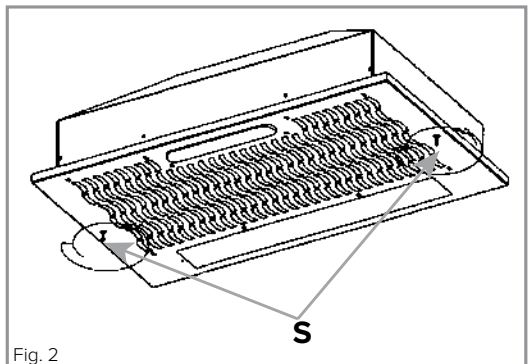


Fig. 2

2. **Take a note of the position of the securing wires holding the filter in place, with a photograph on a smartphone or similar if necessary, so that they can be replaced in the same position.**  
Lift the filter retaining wires from the cover panel.
3. Remove the grease filter and wash by hand in a lukewarm solution of water and mild detergent. Once clean, dry the grease filter but **DO NOT** wring it out. Clean the filter holder using a dilute solution of water and mild detergent or with a damp cloth. Allow the grease filter to dry completely before reassembling the extractor panel.
4. Replace the grill panel and refasten the sliding brackets.
5. Replace the grease filter in the cover panel and reattach the filter retaining wires.

**Please note:**

The extractor must not be used without the grease filter in place.

**Changing the charcoal filter**

To ensure best performance of your extractor, you should replace the charcoal filters every four to six months, depending on use. Please note the charcoal filter cannot be washed. To attach a new charcoal filter, follow the steps below.

1. Unfasten the securing screws (S in Fig 2 on page 7) on either side of the cover panel and the cover panel will come off. **Take care not to drop it.**
2. Remove the old filters using a small posi-headed screwdriver and fit the new charcoal filters in their place using the screw you just removed. Diagrams (and info) are on page 17.

Replace the cover panel and refasten the securing screws.



## Changing the light

**IMPORTANT: DO NOT PERFORM MAINTENANCE OR CLEANING OF THE EXTRACTOR WITHOUT FIRST SWITCHING OFF THE ELECTRICITY SUPPLY.**

**DO NOT CHANGE THE LIGHT BULB IMMEDIATELY AFTER USE AS THE BULB MAY BE HOT. ALLOW IT TO COOL BEFORE REMOVING IT.**

1. Unfasten the securing screws (S in Fig 2 on page 7) on either side of the cover panel and the cover panel will come off. **Take care not to drop it.**
2. Remove the faulty light bulb and replace with a light bulb no more powerful than that specified on the rating plate (E14, SES, 5.5W LED).
3. Replace the cover panel and refasten the sliding brackets.

Do not touch bulbs or adjacent areas during or straight after prolonged use of the lights.

The light is designed for use during cooking and not for general room illumination. Extended use of the light can reduce the life-span of the bulb.

**Bulb replacement is not covered by the guarantee.**

Only use CE marked bulbs recommended for your extractor. Do not fit bulbs of a higher power rating. Bulbs of a lower power rating may be adequate for use, generally last longer, and use less energy.

Spare bulbs are available from CDA Customer Care.

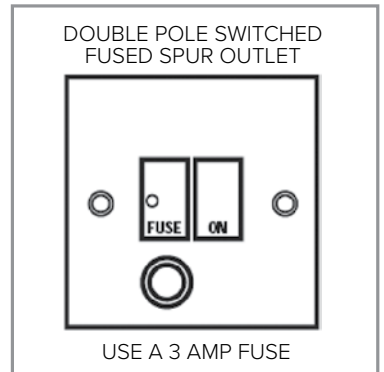
# Mains electricity connection

**THIS APPLIANCE MUST BE CONNECTED TO THE MAINS SUPPLY BY A COMPETENT PERSON, USING FIXED WIRING VIA A DOUBLE POLE SWITCHED FUSED SPUR OUTLET AND PROTECTED BY A 3A FUSE.**

We recommend that the appliance is connected by a qualified electrician, who is a member of the N.I.C.E.I.C. and who will comply with the I.E.E. and local regulations.

The wires in the mains lead of this appliance are coloured in accordance with the following code:

**BLUE = NEUTRAL, BROWN = LIVE, GREEN and YELLOW = EARTH.**



As the colours of the wires in the mains lead for the appliance may not correspond with the coloured markings identifying the terminals connecting to the fused spur, proceed as follows:

- The wire which is coloured **GREEN and YELLOW** must be connected to the terminal which is marked with the letter **(E)** or by the **Earth** symbol  $\equiv$  or coloured **GREEN and YELLOW**.
- The wire which is coloured **BLUE** must be connected to the terminal which is marked with the letter **(N)**, or coloured **BLACK**.
- The wire which is coloured **BROWN** must be connected to the terminal which is marked with the letter **(L)** or coloured **RED**.

---

## **NOTE: USE A 3A FUSE**

Assembly and electrical connection should be carried out by competent personnel.

When installing this product we recommend you seek the help of another (competent and qualified) individual.

Do not mount the isolation switch behind the extractor or in an inaccessible place. It is a requirement that you must be able to isolate the extractor from the mains electrical supply after installation.

This appliance is intended to be connected to the mains electrical supply by means of an isolation switch and fused spur and is intended to be protected by a 3A fuse. The use of a 13A fuse can cause damage to the internal wiring and, in the event of a fault, and may also invalidate the warranty.

## Electrical information

Mains electrical voltage: 230 – 240Vac.

Total rated power consumption CCA51: 105.5W.

Total rated power consumption CCA71: 105.5W.

## Troubleshooting

### **Please note:**

Your extractor is equipped with a motor protection device that will switch off the motor to prevent damage from overheating. This may happen during cooking when most or all of the zones/burners are being used simultaneously.

This is normal, and the extractor will work again once the motor has cooled sufficiently.

### **If your extractor is not working:**

1. Check that the mains supply has not been switched off.
2. Check that the fuse in the spur has not blown.

### **Contact CDA Customer Care**

A : Customer Care Department, The CDA Group Ltd, Harby Road,  
Langar, Nottinghamshire, NG13 9HY

T : 01949 862 012

F : 01949 862 003

E : [customer.care@cda.eu](mailto:customer.care@cda.eu)

W : [www.cda.eu](http://www.cda.eu)

# Installation

When the extractor is to be installed above an electric hob, the minimum distance between the hob and extractor must exceed 600mm (650mm is recommended).

When the extractor is to be installed above a gas hob, the minimum distance between the hob and extractor must exceed 700mm (750mm is recommended).

If the instructions provided with your gas hob state that the required distance between the hob and extractor must be greater than 700mm, then that is the distance that should be observed; this is a legal requirement and may lead to your hob being disconnected from the gas supply and the installation being reported under RIDDOR (The height should be measured from the top of the burners).

**IN THE ABSENCE OF ANY INSTRUCTIONS SUPPLIED WITH THE GAS HOB, THE MINIMUM DISTANCE BETWEEN THE HOB AND EXTRACTOR MUST BE AT LEAST 760mm.**

The width of any hob must not be greater than the width of the extractor installed above it.

# Mounting your extractor

The extractor can be mounted in one of two ways:

1. Mark out the dimensions of the cut-out based on your hood; the dimensions required are as follows: -

| Version | Cut-out Width | Cut-out Depth |
|---------|---------------|---------------|
| CCA51   | 455           | 277           |
| CCA71   | 648           | 277           |

2. Hold the extractor in the housing and secure to the canopy using 4 wood screws, through holes located in the corners of the extractor. These screw holes are shown in Figs. 3 & 5. We recommend that you seek the help of another individual when carrying out this task.

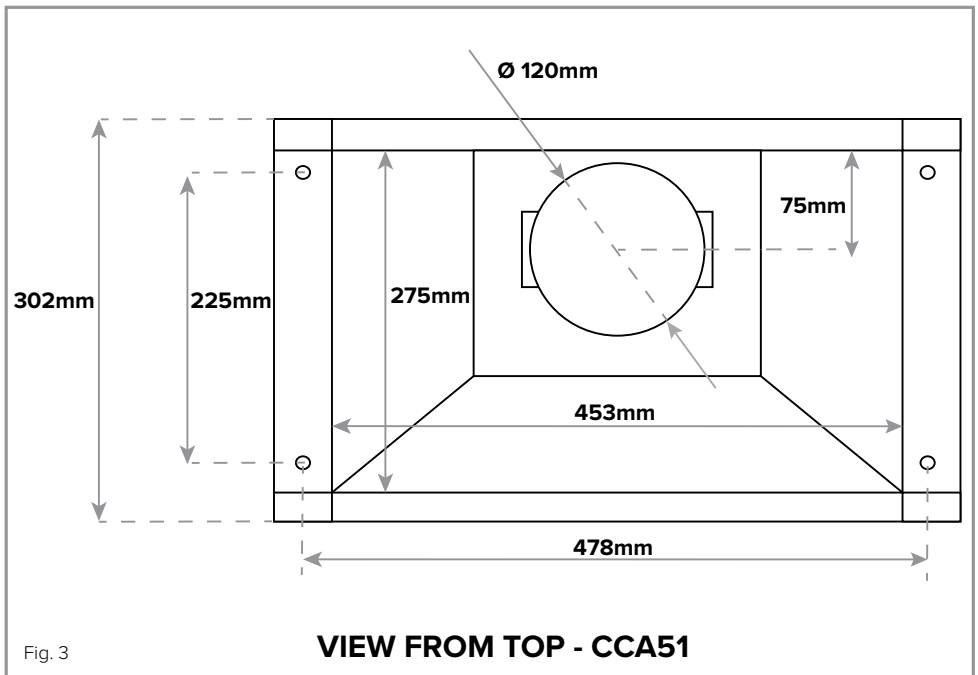


Fig. 3

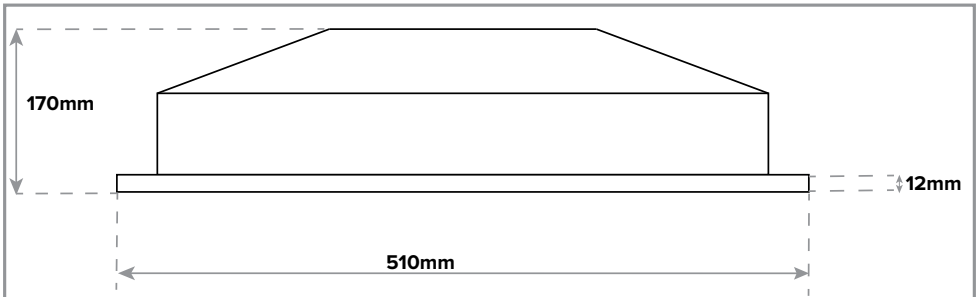


Fig. 4

**VIEW FROM SIDE - CCA51**

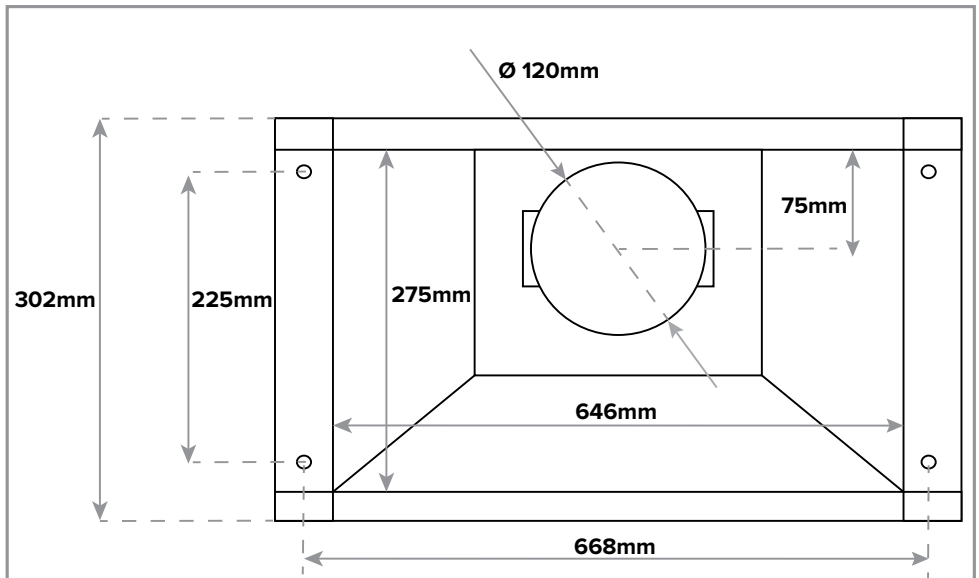


Fig. 5

**VIEW FROM TOP - CCA71**

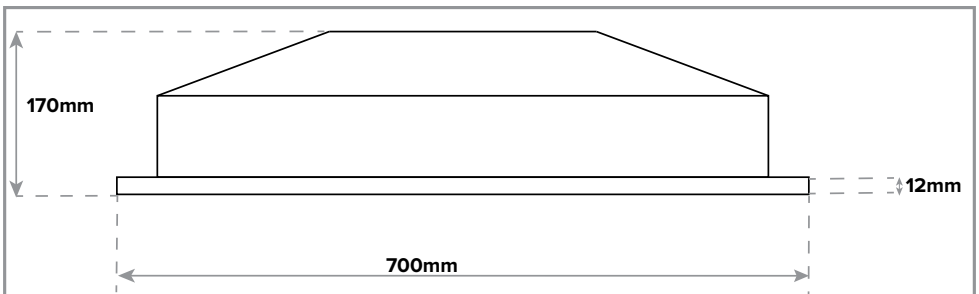


Fig. 6

**VIEW FROM SIDE - CCA71**

3. Connect securely the exhaust pipe to the duct adapter and locate on the extractor. We recommend the use of 120mm (5") ducting, although 100mm can be used with the use of a 120-100mm converter; Note that this will affect performance and potentially increase noise.

## Ducting

The ducting used should be rigid pipe of a constant diameter and must be manufactured from fire retardant material, produced to BS 476 or DIN 4102-B1.

Wherever possible utilise rigid circular pipe which has a smooth interior, rather than the expanding concertina type ducting. The lengths of ducting with minimal effect on performance are as follows:

- 4 metres with 1 x 90° bend.
- 3 metres with 2 x 90° bends.
- 2 metres with 3 x 90° bends.

**Please note:** Ducting components and ducting kits are optional accessories and have to be ordered, they are not automatically supplied with the hood. Use of ducting of a lesser diameter than the flanges supplied will affect performance and increase the noise produced by the extractor. Longer ducting can be used but the performance of the extractor will likely be reduced.

**Note that the ducting should be secured and sealed to the vent outlet using appropriate jubilee clips or securing means.**

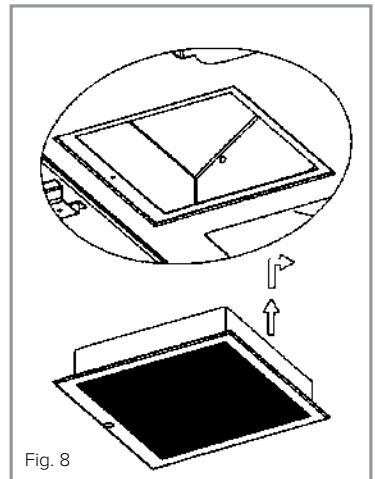
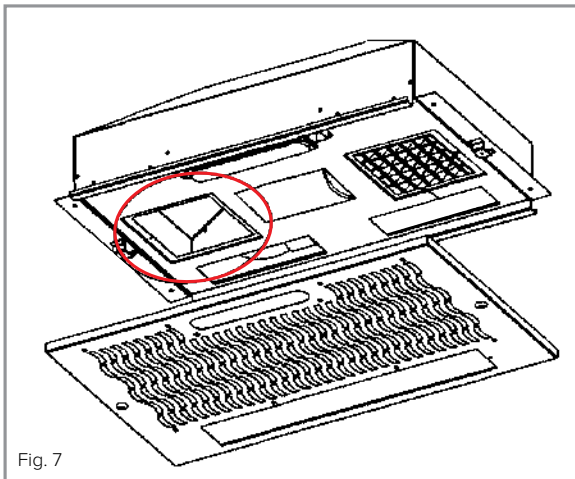


# Recirculating

If you are recirculating the extracted air back into the kitchen, then charcoal filters should be used to cleanse the air. These filters are available from the CDA Customer Care team under code CHA29. Contact details are on the rear cover of this manual. The extracted air should be vented back into the kitchen. You should vent out of the top of the cupboard unit via a piece of suitable ducting (see page 16).

To fit the charcoal filters, remove the cover panel by unfastening the securing screws (S in Fig 2 on page 7) on either side of the cover panel and the cover panel will come off. **Take care not to drop it.** If the plastic inlet covers (position of one circled in Fig. 7) are in place, remove them using a small posi-headed screwdriver and fit the charcoal filters in their place using the screw you just removed (Fig. 8). Replacing the charcoal filters after they have saturated (approx. every 6 months) is the same process.

Refit and secure the cover panel.



---

**NOTES:**

| <b>Energy Efficiency Information</b>                               |               |              |          |              |
|--|---------------|--------------|----------|--------------|
| <b>Attribute</b>   | <b>Symbol</b> | <b>Value</b> |          | <b>Units</b> |
| Model Identification   |               | CCA51        | CCA71    |              |
| Annual Energy Consumption  | $AEC_{Hood}$  | 44.7         | 44.3     | kWh          |
| Time increase factor   | f             | 1.5          | 1.5      |              |
| Fluid Dynamic Efficiency   | $FDE_{Hood}$  | 12.6 (E)     | 12.9 (E) |              |
| Energy Efficiency Index  | $EEL_{Hood}$  | 75.2 (C)     | 78.2 (C) |              |
| Measured airflow at Best Efficiency Point                          | $Q_{BEP}$     | 211.2        | 213.3    | $m^3/h$      |
| Measured Pressure at Best Efficiency Point                         | $P_{BEP}$     | 155          | 160      | Pa           |
| Maximum airflow  | $Q_{MAX}$     | 353.2        | 359.7    | $m^3/h$      |
| Measured electric power at Best Efficiency Point                   | $W_{BEP}$     | 74.2         | 73.6     | W            |
| Nominal lighting power   | WL            | 5.5          | 5.5      | W            |
| Average illumination of the lighting system on the cooking surface | $E_{Middle}$  | 148          | 148      | Lux          |
| Measured power consumption in standby                              | $P_S$         | NA           | NA       | W            |
| Measured power consumption off mode                                | $P_O$         | NA           | NA       | W            |
| Sound power level  | $L_{WA}$      | 62/57        | 65/56    | dBA          |
| Grease Filter Efficiency   | $GFE_{Hood}$  | 68(D)        | 66.4 (D) | %            |
| Lamp efficiency  | $LE_{Hood}$   | 26.9 (B)     | 26.9 (B) | %            |



**For service or queries relating to your product please contact:**

The Customer Care Department on **01949 862 012** or email [customer.care@cda.eu](mailto:customer.care@cda.eu)

**For more information please contact:**

The Sales Department on **01949 862 010** or email [sales@cda.eu](mailto:sales@cda.eu)

**Customer Care Department.** The CDA Group Ltd, Harby Road, Langar, Nottinghamshire, NG13 9HY  
T: 01949 862 012 F: 01949 862 003 E: [customer.care@cda.eu](mailto:customer.care@cda.eu)